



# FIG. G800 GLOBE VALVE

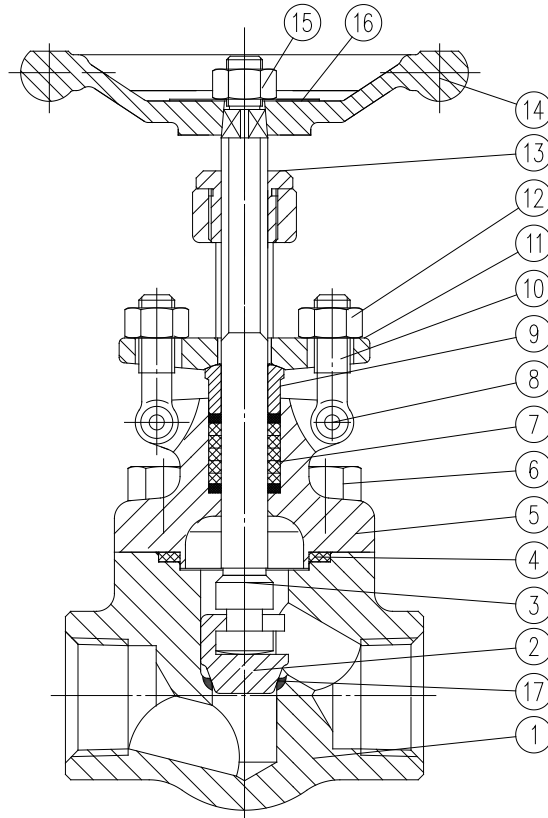
BS 5352, ASME B16.34  
Connections according to:  
ANSI B 1.20.1 (NPT)  
ANSI B 16.11 (SW)  
CE

# Forged Globe Valves

## Fig. G800 Class 800

### Parts and Materials

#### Parts and materials

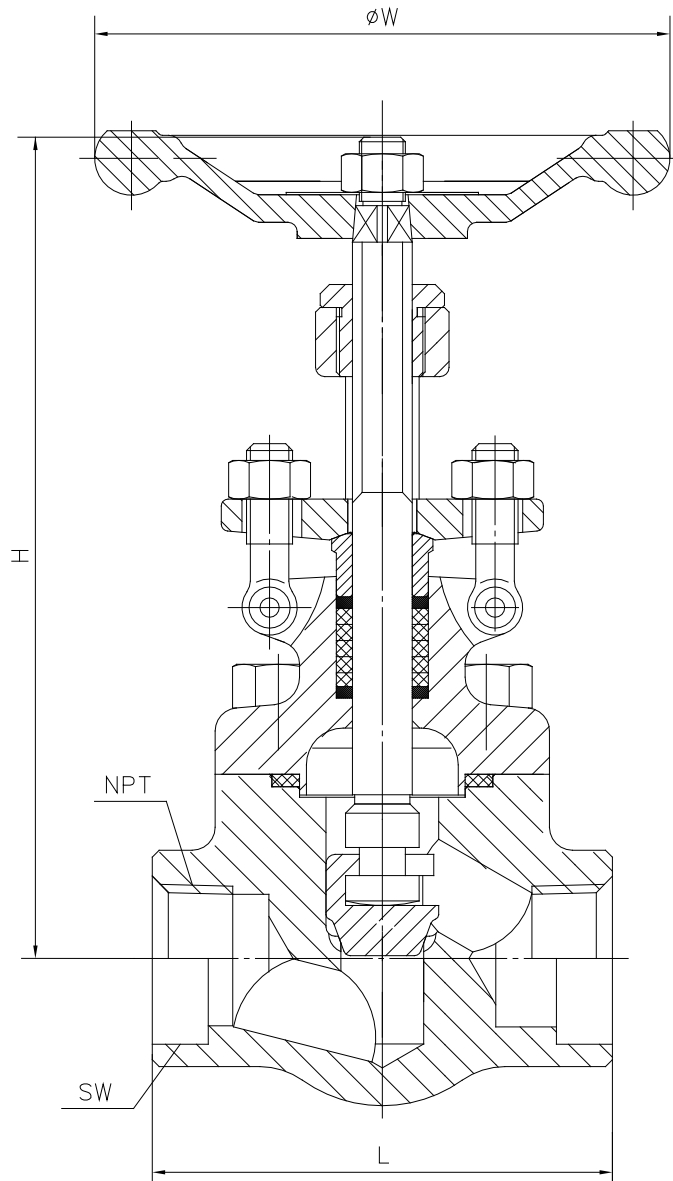


Item	Description	Material	
		Carbon Steel	Stainless Steel
1	Body	A 105N	A 182 F316L
2	Disc	A276 410 + STL	A276 F316
3	Stem	A276 410	A276 F316
4	Gasket	AISI 316 + Graphite	AISI 316 + Graphite
5	Bonnet	A 105N	A 182 F316L
6	Bolt	A 193 B7M	A 193 B8M
7	Packing	Graphite	
8	Pin	A276 304	A276 316
9	Packing Gland	A276 410	A276 316
10	Eye Bolt	A 193 B7M	A 193 B8M
11	Gland Flange	A 105N	A 182 F316
12	Hex Nut	A 194 2HM	A 194 8M
13	Yoke Nut	A276 410	
14	Handw heel	A 197	
15	Hex Nut	A 194 2H	A 194 8
16	Nameplate	Aluminium	
17	Seat	A 105N + STL	A 182 F316L + STL

# Forged Globe Valves

## Fig. G800 Class 800

### Dimensions



#### Dimensions

SIZE	L	NPT	$\phi W$	H	Weight
1/2" (DN 15)	79	1/2"	100	161	2,1
3/4" (DN 20)	92	3/4"	100	161	2,3
1" (DN 25)	111	1"	120	193	3,7
1 1/4" (DN 32)	120	1 1/4"	160	230	5,8
1 1/2" (DN 40)	152	1 1/2"	160	248	7,5
2" (DN 50)	172	2"	220	282	10,2

(\* ) Dimensions in mm and weight in kg.

#### Note:

Dimensions not subject to International Standards can vary in  $\pm 10\%$ . ICP reserves the right to change those dimensions without notice, due to they do not affect integrity and performance of the valves.



# Forged Globe Valves

## Fig. G800 Class 800

### General Characteristics, Torque, Kv, P&T Rating

GENERAL CHARACTERISTICS	Forged Globe Valve		
<b>DESIGN STANDARDS</b>			
Valves design	BS 5352	ASME B16.34	
Connections	ANSI B 1.20.1	ANSI B 16.11	
Face to face dimensions	Manufacturer's standard		
<b>TESTS AND CERTIFICATES</b>	API 598		
Quality Assurance	ISO 9001		
Pressure testing	EN 12266-1		
Marking	EN 19		

#### Kv Values in m<sup>3</sup>/h

VALVE SIZE	Kv	VALVE SIZE	Kv
½" (DN 15)	1	1¼" (DN 32)	9,5
¾" (DN 20)	2,3	1½" (DN 40)	15
1" (DN 25)	4,6	2" (DN 50)	19,9

#### Pressure-Temperature

##### ASTM A105

