

Forged Globe Valves Class 150/300/600

Fig. G150RF, G300RF & G600RF

Size 1/2" – 2" (DN 15 – 50)



FIG. G150RF

FIG. G300RF

FIG. G600RF

GLOBE VALVE

BS 5352, ASME B16.34
Connections according to:
ASME B16.5

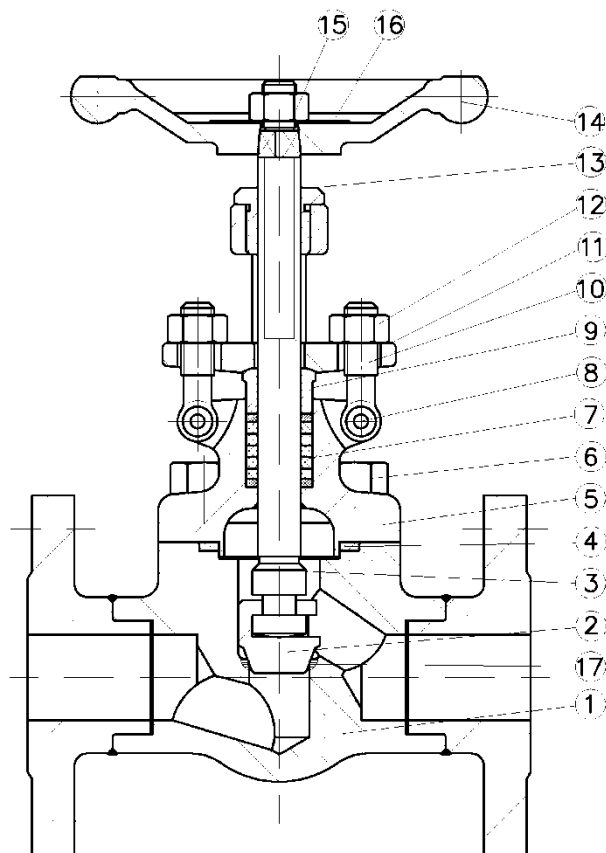


Forged Globe Valves Class 150/300/600

Fig. G150RF, G300RF & G600RF

Parts and Materials

Parts and materials



Item	Description	Material	
		Carbon Steel	Stainless Steel
1	Body	A 105N	A 182 F316L
2	Disc	A276 410 + STL	A276 316
3	Stem	A276 410	A276 316
4	Gasket	AISI 316 + Graphite	AISI 316 + Graphite
5	Bonnet	A 105N	A 182 F316L
6	Bolt	A 193 B7M	A 193 B8M
7	Packing	Graphite	
8	Pin	A276 304	A276 316
9	Packing Gland	A276 410	A276 316
10	Eye Bolt	A 193 B7M	A 193 B8M
11	Gland Flange	A 105N	A 182 F316
12	Hex Nut	A 194 2HM	A 194 8M
13	Yoke Nut	A276 410	
14	Handw heel	A 197	
15	Hex Nut	A 194 2H	A 194 8
16	Nameplate	Aluminium	
17	Seat	A 105N + STL	A 182 F316L + STL

Forged Globe Valves Class 150/300/600

Fig. G150RF, G300RF & G600RF

Dimensions

Dimensions

Series G150RF (Class 150)

SIZE	L	D	T	W	H	WEIGHT
½" (DN 15)	108	90	12	100	161	3,1
¾" (DN 20)	117	100	13,5	100	161	3,7
1" (DN 25)	127	110	15	120	193	5,5
1¼" (DN 32)	140	115	16,5	160	230	7,6
1½" (DN 40)	165	125	18,2	160	248	10,3
2" (DN 50)	203	150	19,8	220	282	14,6

(*) Dimensions in mm and weight in kg.

Series G300RF (Class 300)

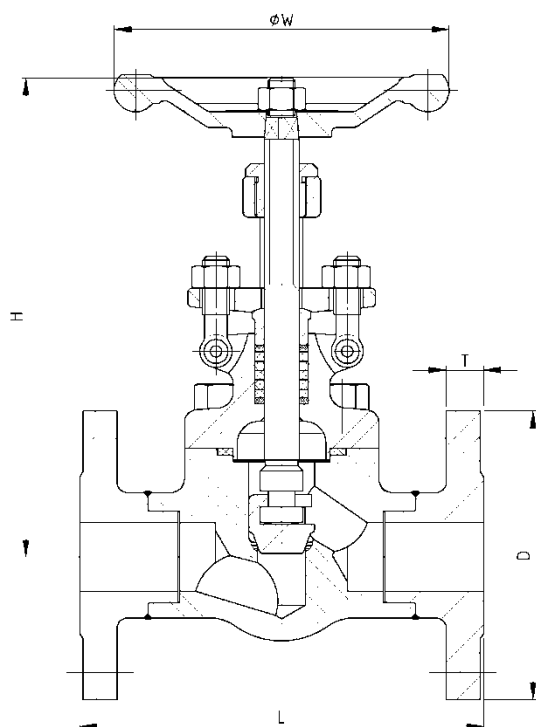
SIZE	L	D	T	W	H	WEIGHT
½" (DN 15)	152	95	15	100	161	3,7
¾" (DN 20)	178	115	16,5	100	161	4,9
1" (DN 25)	203	125	18,2	120	193	7,1
1¼" (DN 32)	216	135	19,8	160	230	10,2
1½" (DN 40)	229	155	21,5	160	248	13,1
2" (DN 50)	267	165	23	220	282	17,2

(*) Dimensions in mm and weight in kg.

Series G600RF (Class 600)

SIZE	L	D	T	W	H	WEIGHT
½" (DN 15)	165	95	21,3	100	158	6,2
¾" (DN 20)	190	115	22,9	100	163	8,4
1" (DN 25)	216	125	24,5	125	193	12,6
1¼" (DN 32)	229	135	27,7	160	230	21,8
1½" (DN 40)	241	155	29,3	160	250	22,5
2" (DN 50)	292	165	32,4	180	291	32

(*) Dimensions in mm and weight in kg.



Note:

Dimensions not subject to International Standards can vary in $\pm 10\%$. ICP reserves the right to change those dimensions without notice, due to they do not affect integrity and performance of the valves.



Forged Globe Valves Class 150/300/600 Fig. G150RF, G300RF & G600RF

General Characteristics, Torque, KV, P&T Rating

GENERAL CHARACTERISTICS		Forged Globe Valve	
DESIGN STANDARDS			
Valves design	BS 5352	ASME B16.34	
Connections	ANSI B 1.20.1	ANSI B 16.11	
Face to face dimensions	ASME B16,10		
TESTS AND CERTIFICATES			
Quality Assurance	API 598		
Pressure testing	ISO 9001		
Marking	EN 12266-1		
	EN 19		

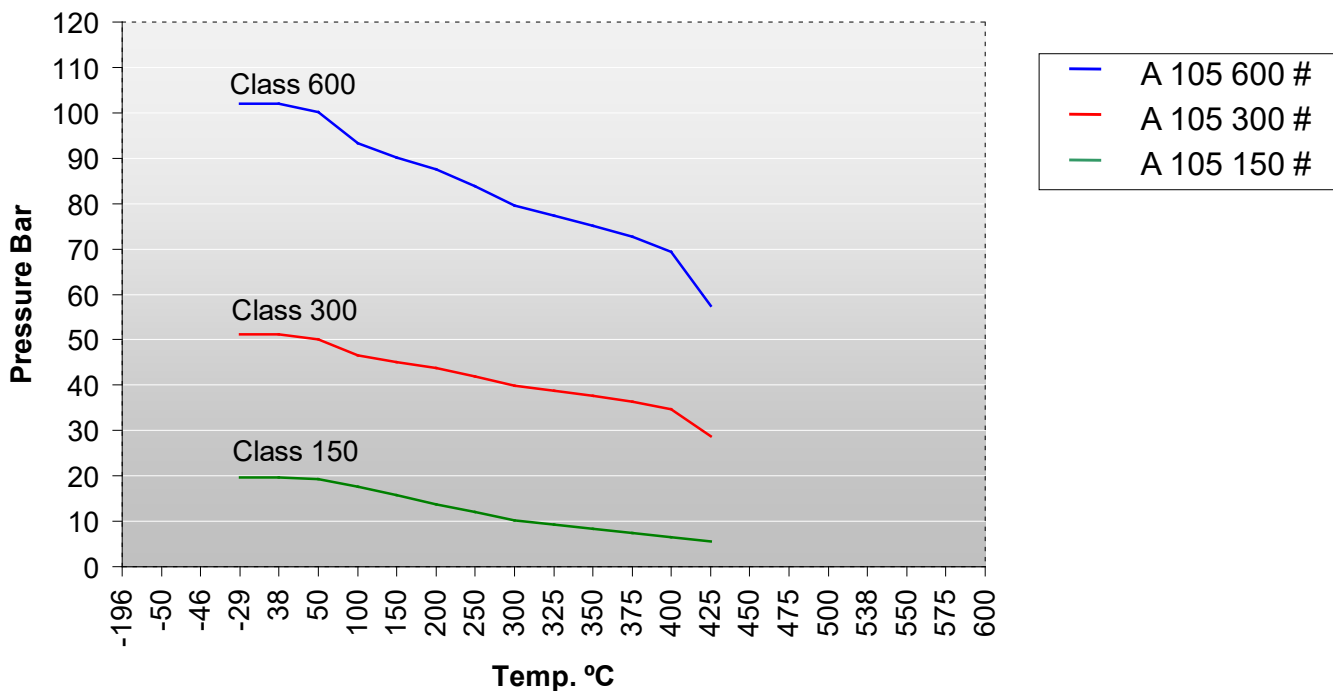
(*) Welded flanges

Kv Values in m3/h

VALVE SIZE	Kv	VALVE SIZE	Kv
½" (DN 15)	1	1¼" (DN 32)	9,5
¾" (DN 20)	2,3	1½" (DN 40)	15
1" (DN 25)	4,6	2" (DN 50)	19,9

Pressure-Temperature

A105





Forged Globe Valves Class 150/300/600 Fig. G150RF, G300RF & G600RF

General Characteristics, Torque, KV, P&T Rating

Pressure-Temperature

A182 F316L

