



# Three Pieces Ball Valves IMF Long BW 1000 WOG

Size 3/8" – 4" (DN 12 -100) Stainless Steel



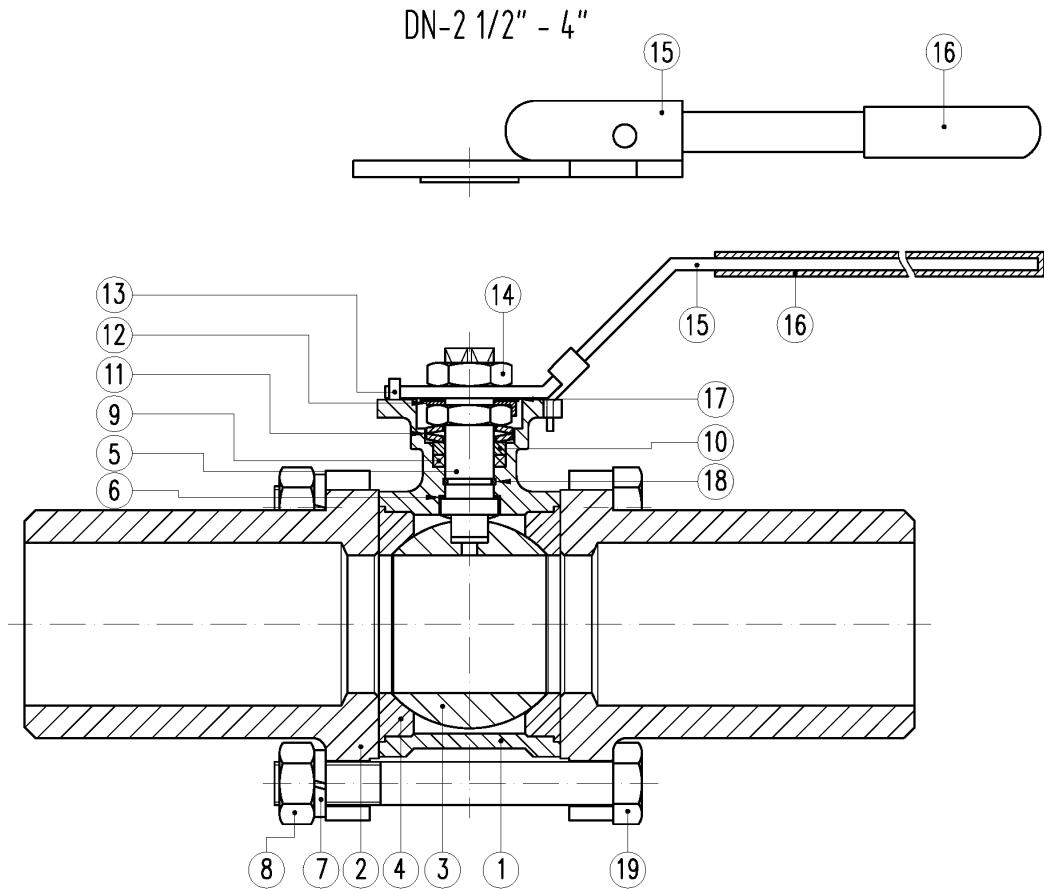
## Fig. 143 IMF L FULL BORE

Butt Weld according:  
ASME B16.25 & DIN 3239 part 1

CE

# Three Pieces Ball Valves IMF Long BW 1000 WOG

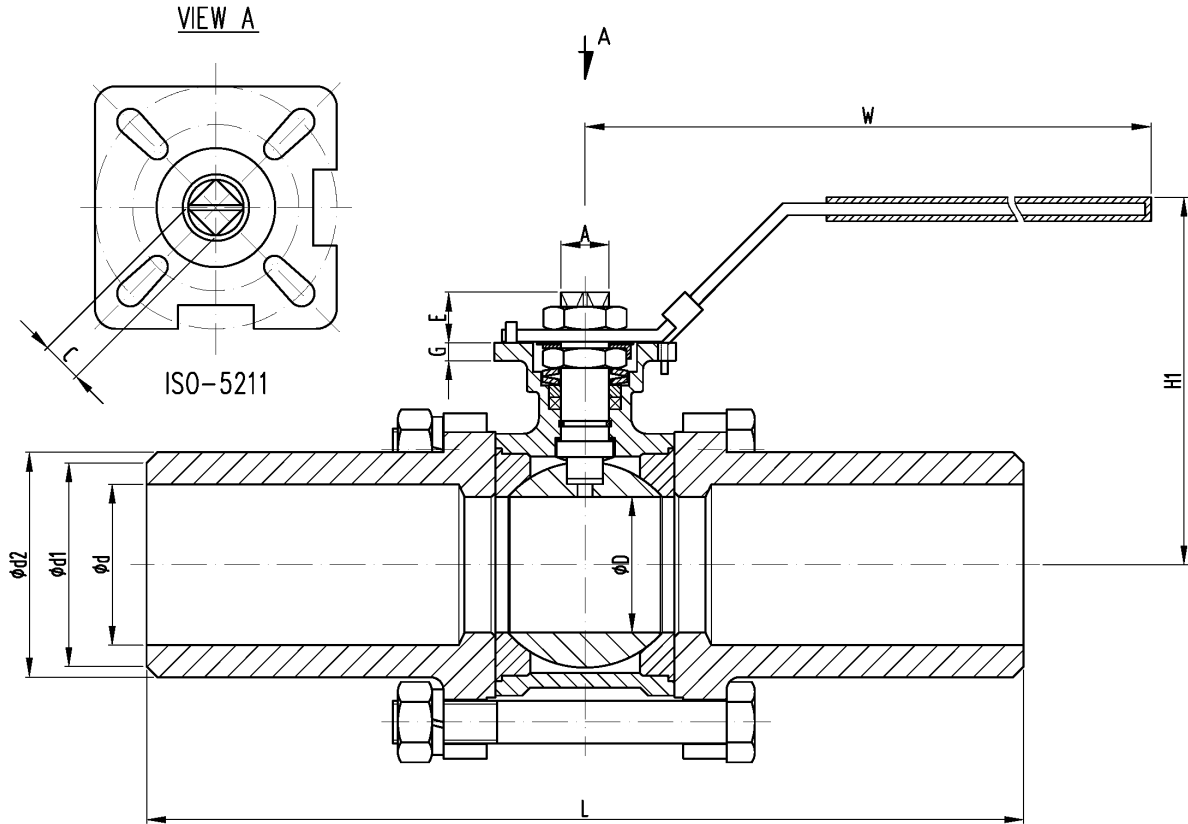
Parts and materials



Item	Description	Material
1	Body	A351 CF8M
2	Body connector	A351 CF8M
3	Ball	A351 CF8M
4	Seat ring	PTFE
5	Stem	AISI 316
6	Thrust w asher	PTFE
7	Washer	AISI 304
8	Nut	AISI 304
9	Gland packing	PTFE
10	Gland ring	AISI 304
11	Disc spring	AISI 301
12	Locking w asher	AISI 304
13	Stop pin	AISI 304
14	Nut	AISI 304
15	Wrench	AISI 304
16	Sleeve	PLASTIC
17	Washer	AISI 304
18	O-ring	FKM
19	Bolt	AISI 304

# Three Pieces Ball Valves IMF Long BW 1000 WOG

## Dimensions



### Dimensions

SIZE	ØD	L	Ød	Ød1	Ød2	E	G	C	A	ISO 5211	W	H1	WEIGHT
3/8" (DN 10)	10	214	10	12	17	9	4,5	9	12	F03/F04	143	70	0,8
1/2" (DN 15)	15	224	15	17	21	9	4,5	9	12	F03/F04	143	70	0,8
3/4" (DN 20)	20	236	20	22	27	9	4,5	9	12	F03/F04	143	79	1
1" (DN 25)	25	248	25	28	33	11	5,5	11	14	F04/F05	163	95	1,4
1 1/4" (DN 32)	32	272	32	35	42	11	5,5	11	14	F04/F05	163	100	2
1 1/2" (DN 40)	38	286	40	43	49	15	8	14	18	F05/F07	188	116	3,2
2" (DN 50)	50	304	50	54	60	15	8	14	18	F05/F07	188	124	4,8
2 1/2" (DN 65)	64	323	65	69	76	17	8,5	17	22	F07/F10	350	141	8
3" (DN 80)	76	343	80	84	91	17	8,5	17	22	F07/F10	350	149	12
4" (DN 100)	94	366	100	105	114	22	8,5	22	28	F10/F12	350	173	21

(\* ) Dimensions in mm and weight in kg.

#### Note:

Dimensions not subject to International Standards can vary in  $\pm 10\%$ . ICP reserves the right to change those dimensions without notice, due to they do not affect integrity and performance of the valves.



# Three Pieces Ball Valves IMF Long BW 1000 WOG

*Torque, Kv, P&T Rating, Actreg Actuator*

## Torque Values in Nm

VALVE SIZE	AT DIFFERENTIAL PRESSURE	
	63 bar	25 bar
3/8" (DN 10)	4	55
1/2" (DN 15)	5	80
3/4" (DN 20)	7	118
1" (DN 25)	12	
1 1/4" (DN 32)	18	
1 1/2" (DN 40)	25	
2" (DN 50)	35	

## Kv Values in m<sup>3</sup>/h

VALVE SIZE	Kv	VALVE SIZE	Kv
3/8" (DN 10)	9,0	1 1/2" (DN 40)	80,0
1/2" (DN 15)	11,2	2" (DN 50)	150,0
3/4" (DN 20)	21,0	2 1/2" (DN 65)	265,0
1" (DN 25)	34,0	3" (DN 80)	415,0
1 1/4" (DN 32)	57,0	4" (DN 100)	780,0

## Pressure-Temperature

### P Bar

