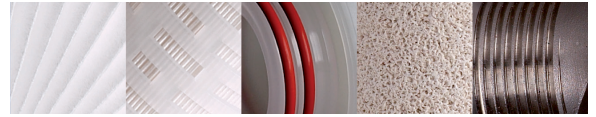


66 SERIES FFC

High Flow Liquid and Gas Housing



The **66 Series FFC** housing is a version of Amazon's successful **66 Series** range and specifically designed for use with the large bore **SupaPleat FFC** and **SupaSpun FFC** cartridges. This provides a filtration system that offers maximum efficiency, high flow rates and long life. The high quality electropolished 316L stainless steel housing is easy to use and is suited to many filtration processes across a range of industries.

They are available in a selection of sizes and with a choice of connections and closure types, therefore the optimum housing can be provided for each application.




The **66 Series FFC** housing is available to be used with 20", 40" or 60" cartridges. The cartridge is normally operated in 'out to in' mode.

Housings can be installed in either the vertical or horizontal position and can be supplied with fixed or adjustable legs. This ensures that the housing can normally be used even where space or changes to inlet and outlet pipework are limited.

Product Features

- Designed for high flow systems
- Easy and quick cartridge change-out
- Electropolished inside and out
- Available for 20", 40" or 60" filters
- Each housing is hydrostatically pressure tested
- Available with 3" or 4" connections and in a range of types
- Can be supplied with adjustable or fixed legs where required
- Rated at 10 bar g liquid, 3 bar g gas
- PED and ATEX Compliant



Accessories	Part Number
Pressure Gauge and Vent Valve Kit 	60S000016
Pressure Gauge and Auto Vent Valve Kit 	60S000082
Ball Valve and Nipple 	60S000010

Features and Benefits

- Designed for use with the **SupaPleat FFC** and **SupaSpun FFC** cartridges for maximum flow rates
- Utilises large bore cartridge allowing quick and easy filter change out
- Can be used vertically or horizontally with or without legs
- Flexible design allows use of either V band or Rathmann clamp closure
- Full housing customisation service available

Product Range

Amazon Filters design and manufacture an extensive range of liquid filtration systems, providing one of the widest selections of filtration vessels, depth filters and pleated cartridges available today, ensuring excellent process and filter compatibility. As one of Europe's leading manufacturers of filtration systems, Amazon Filters is able to offer a solution to meet all filtration requirements. Amazon's filters are manufactured in clean room conditions and all products come with detailed Product Validation Guides and Technical Support documentation.



AMAZON

66 Series FFC Technical Data

Maximum Operating Conditions

Pressure Range: Liquid: Vee clamp: 10 bar g
 Bolted: FV / 10 bar g
 Gas: Vee clamp: 3 bar g
 Bolted: FV / 3 bar g
 Temperature Range: -10°C / 150°C

Materials of Construction

Body: 316L St. Steel
 Closure: Vee Clamp - 304 St. Steel
 Bolts - Zinc plated carbon steel
 (Optional stainless steel)

Finish

Vessel: Electropolished

Connections

Inlet/Outlet: 3" Flanged
 Vent: Horizontal: ½" BSPM
 Vertical: ¼" BSP
 Drains: ½" BSPM

Model	Dimensions					Volume (Litres)	Dry Weight
	A	B	C	D	E		
66012HAC30C1EE	1070	853	214	201	550	27.4	31.0
66014HAC30C1EE	1599	1382	214	201	1000	46.6	36.3
66014HAI30C1EE	1599	1382	214	201	1000	46.6	40.0
66016HAI30C1EE	2102	1885	214	201	1550	59.1	45.0

PED Status: Compliant with 2014/68/EU

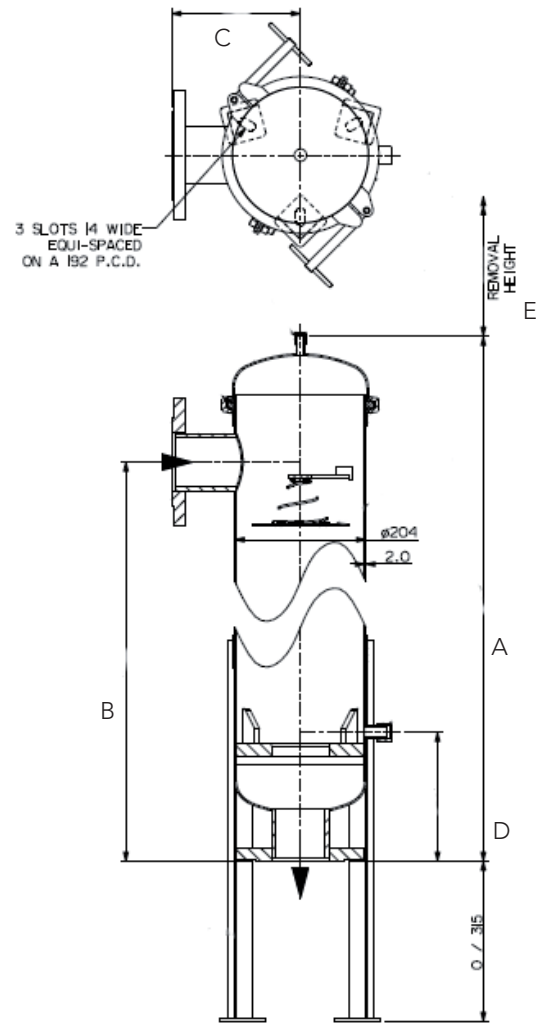
Fluid Groups: Liquids Group 1 + 2
 Gas Group 2

Marking: CE

Exceptions: Group 1 liquids - Explosive

ATEX: Compliant with 2014/34/EU, level CE Ex II 2 GD c X

Technical drawings for each individual housing showing dimensions, volume, weights, maximum temperatures and design pressures available on request.



AMAZON FILTERS LTD.

Albany Estate, Camberley, Surrey, GU16 7PG, ENGLAND

Tel: +44 (0) 1276 670 600 Email: sales@amazonfilters.co.uk Web: www.amazonfilters.com