

FLAMELESS EXPLOSION VENTING TYPE FLAMQUENCH II SQ™

DESCRIPTION

The most common basis of safety for protecting industrial processes against the effects of dust explosions is explosion relief venting.

Fike's FlamQuench II SQ™ technology consists of various layers of high temperature stainless steel, these absorb the heat produced during the combustion, thus allowing conventional venting to be used indoors with no release of flame.

FEATURES AND BENEFITS

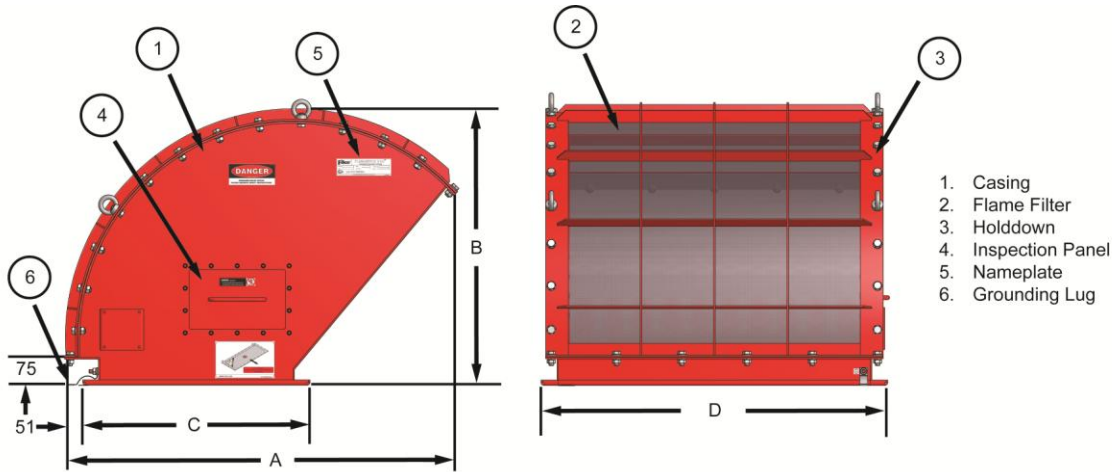
- Flame arrester technology combined with rectangular explosion vent panels
- Conventional venting indoors and outdoors without flame
- Precludes the need for venting ducts
- Large venting area and high venting efficiency
- ATEX and EAC certified
- Suitable for venting class ST1 non-metallic explosions and reduced explosion pressures ≤ 1 bar (0.7 bar for sizes $> 566 \times 900$)
- Inspection door for easy maintenance
- Refurbishable in the field
- Optional dust cover presents dust ingress at atmospheric side

Note: To ensure that P_{red} remains within the enclosure design limits, the sizing requirements of the flameless explosion vent system must be adjusted for the additional restriction presented by the FlamQuench II SQ.



APPROVALS:

- ATEX
- EAC



SPECIFICATIONS

Flamefilter assembly		Dimensions (mm)				Approx. weight	Bolt specifications (bolts/nuts/washers not included)	
FQISQ	Fike PN	A	B	C	D	Kg	Qty	Size
400 x 500	91200000	895	645	512	612	75	22	M10 x 30
500 x 500	91201000	1060	745	612	612	91	24	M10 x 30
500 x 800	91204000	1060	745	612	912	115	30	M10 x 30
470 x 570	91212000	1010	715	582	682	91.5	26	M10 x 30
566 x 900	91213000	1168	810	678	1012	138	34	M10 x 30
1110 x 1110	91217000	2062	1374	1237	1237	355	32	M10 x 30
18" x 24"	91208000	955	679	545	698	104	24	M10 x 30 or 3/8" x 1 1/4"
18" x 35" ¹	E34-004-1835	947	674	550	982	137	28	M10 x 30 or 3/8" x 1 1/4"
24" x 36"	91209000	1206	831	698	1003	181	34	M10 x 30 or 3/8" x 1 1/4"
36" x 36"	91211000	1707	1165	1003	1003	320	40	M10 x 30 or 3/8" x 1 1/4"
36" x 44" ¹	E34-004-3655	1703	1166	1007	1211	355	44	M10 x 30 or 3/8" x 1 1/4"
38" x 46"	91210000	1791	1186	1060	1263	383	44	M10 x 30 or 3/8" x 1 1/4"

Note: the FlamQuench II SQ Flameless Venting device is designed for multiple uses. After an explosion event, contact the factory for more instructions.

(1) These sizes are not ATEX certified