



3 Way Ball Valves PN 16

AIT & IIT Construction

(Carbon & Stainless Steel)

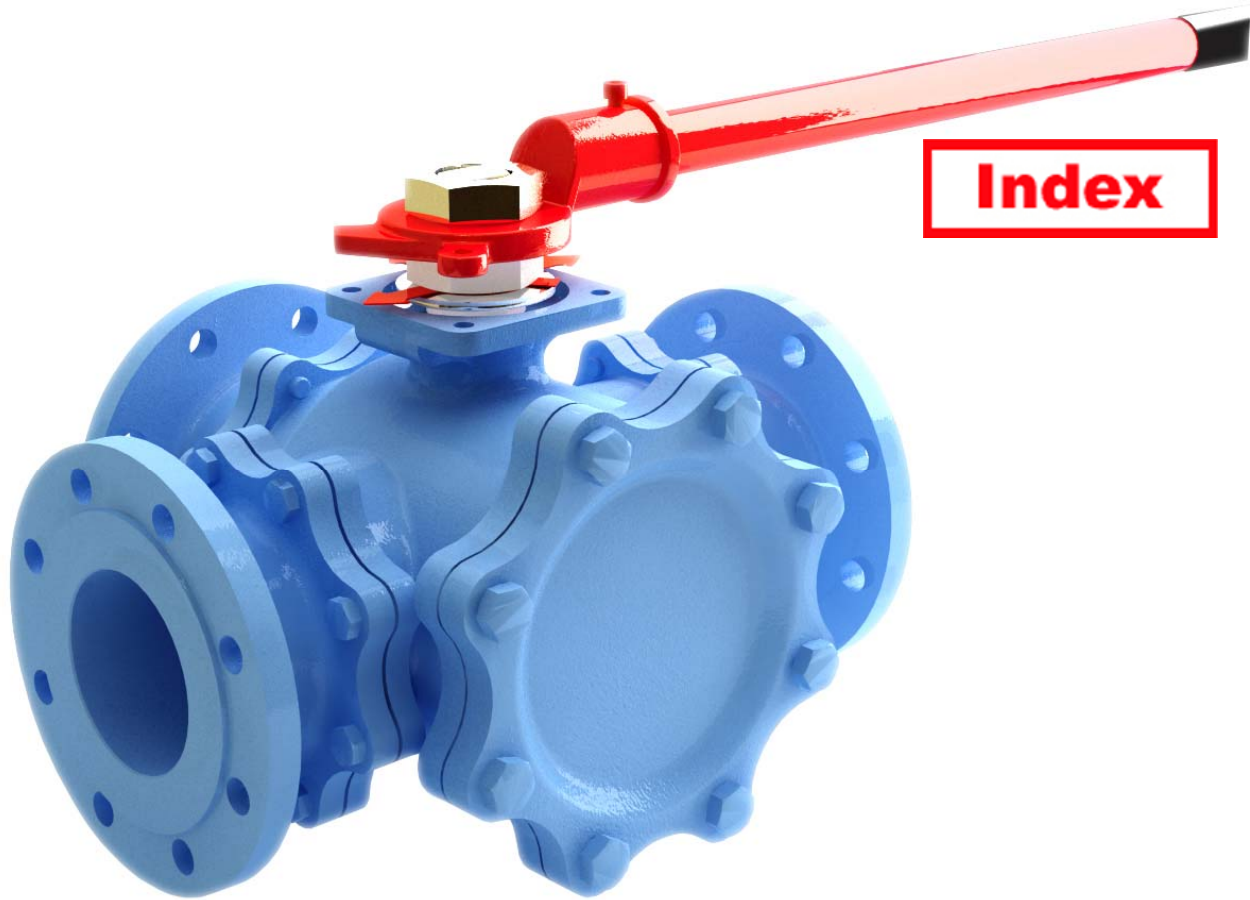
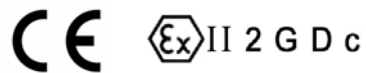


Fig. 916 L or T port

Manufacturing program:

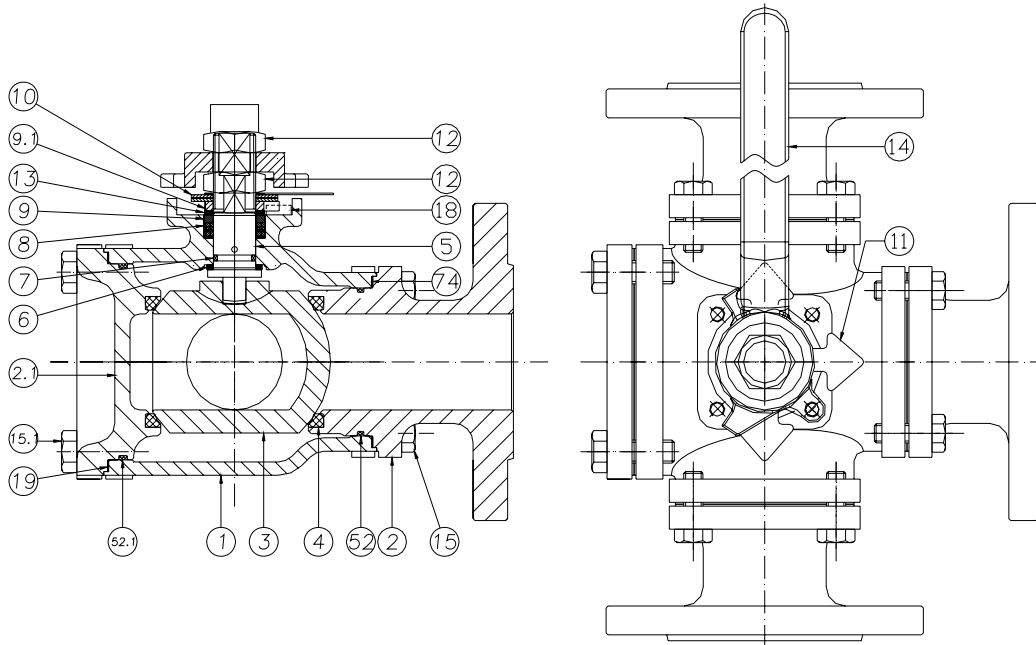


Quality & Environmental Management:



3 Way Ball Valves PN 16

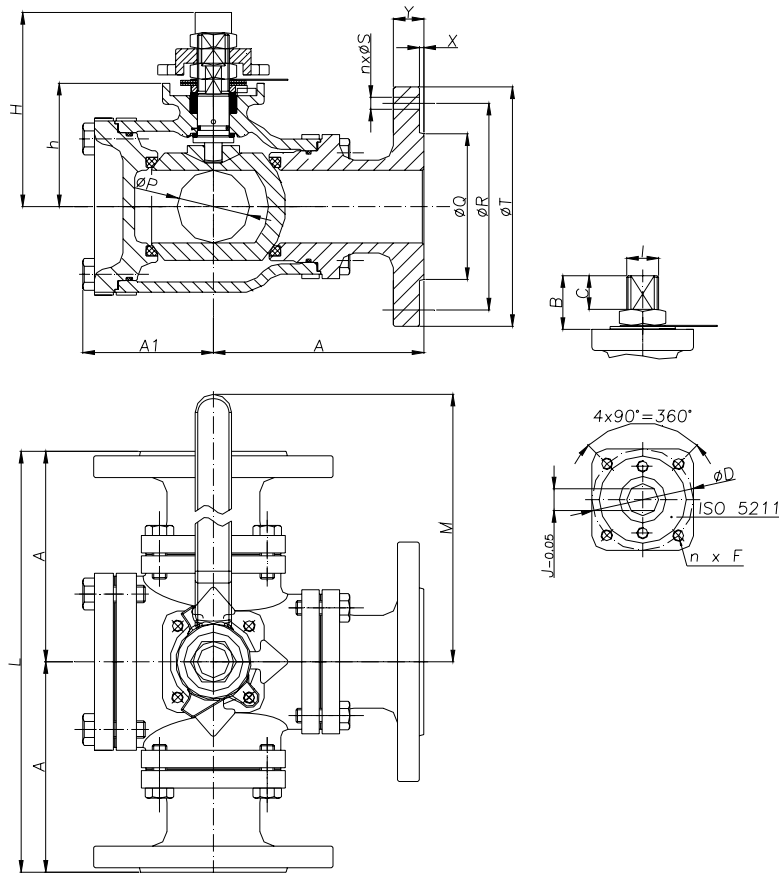
Parts and materials



Item	Description	Material	
		AIT	IIT
1	Body	1.0619	1.4408
2	Body connector	1.0619	1.4408
2.1	Side Cover	1.0619	1.4408
3	Ball	A 351 Gr. CF8M	
4	Seat ring	PTFE	
5	Stem	A 479 Type 316	
6	Stem thrust seal	25%GF PTFE	
7	O'ring	FKM	
8	Stem packing	Graphite	
9	Gland	AISI 303	AISI 316
9.1	Stop plate	F114	AISI 304
10	Disk spring	E.N.P Carbon steel	
11	Look. Wash. Pointer	Rilsan coated Carbon St.	
12	Gland nut	Zinc plated carbon steel	AISI 303
13	Antifricion washer	25%GF. PTFE	
14	Wrench	EN-GJL-250	
15	Bolt	DIN 933 A4 - 70	
15.1	Bolt	DIN 933 A4 - 70	
18	Stop bolt	A4-70	
19	Body cover seal	PTFE	
52	O'ring	FKM	
52.1	O'ring	FKM	
74	Body connector seal	PTFE	
89	Identification plate	Stainless St.	

3 Way Ball Valves PN 16

Dimensions



Valve with lever

DN	ØP	L	A	A1	H	h	M	ØT	ØR	ØQ	X	Y	n x ØS	WEIGHT
25	25	212	106	70	96	60	170	115	85	68	2	18	4x14	8
40	40	262	131	80	121	72	200	150	110	88	2	18	4x18	17
50	50	290	145	90	134	85	350	165	125	102	2	18	4x18	25
65	65	325	162,5	107	180	101	350	185	145	122	2	18	8x18	34
80	80	370	185	117	189	122	465	200	160	138	2	20	8x18	51
100	100	430	215	148	230	146	475	220	180	158	2	20	8x18	77
150	150	500	250	194	280	182	855	285	240	212	2	22	8x22	138
200	200	600	300	270	325	255	855	340	295	268	3	24	12x22	214

(*) Dimensions in mm and weight in kg.

Free stem dimensions

DN	ISO 5211	B	C	ØD	n x F	I	J
25	F05	22	12,2	50	4xM6	M12x1.5	8
40	F07	33	19,2	70	4xM8	M18x1.5	12
50	F07	34	20,2	70	4xM8	M22x1.5	15
65	F10	34	19,2	102	4xM10	M22x1.5	15
80	F10	45	27,7	102	4xM10	M28x1.5	19
100	F12	56	32,2	125	4xM12	M36x1,5	24
150	F14	69	41	140	4xM16	M48x3	32
200	F14	69	34	140	4xM16	M48x3	32

(*) Dimensions in mm and weight in kg.



3 Way Ball Valves PN 16

General Characteristics, Torque & Kv , P&T Rating

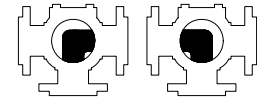
GENERAL CHARACTERISTICS	Fig.916 Series MFF	M ultiport	F loating Ball	F ull Bore
DESIGN STANDARDS				
Valves design	ASME B16.34			
Shell thickness	ASME B16.34			
Flanges	DIN 2501	EN 1092		
Face to face dimensions	Manufacturer Standards			
Shell finishing quality	MSS SP 55			
Marking	BS 5351	EN 19	CE - PED	
Actuator mounting flange	ISO 5211	EN 15081		
TESTS AND CERTIFICATES				
Quality Assurance	ISO 9001	CE - PED		
Pressure testing	EN 12266	ISO 5208	EN 12266	
Other	ISO 14001	ATEX		

Torque Values in Nm

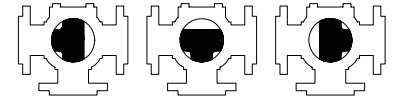
VALVE SIZE	AT DIFFERENTIAL	
	PN 16	
	L	T
25 (1")	32	32
40 (1 ½")	71	71
50 (2")	130	130
65 (2½")	195	195
80 (3")	260	260
100 (4")	494	494
150 (6")	689	689
200 (8")	850	850

Port combinations

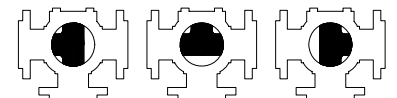
3 WAY **L** PORT



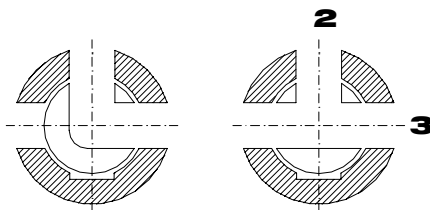
3 WAY **T** PORT



3 WAY INVERTED **T** PORT



Kv Values in m³/h



DN	PORT L	PORT T	
		PORT 2	PORT 3
25 (1")	20,4	28,9	51
40 (1 ½")	51,85	51,85	149,6
50 (2")	42,5	80,75	249,9
65 (2½")	136,85	136,85	478,55
80 (3")	206,55	291,55	732,7
100 (4")	323	323	1217,2
150 (6")	726,75	726,75	3087,2
200 (8")	920	920	4810

Pressure-Temperature

For 1.0619 only. For other materials consult EN 1092 - 1

