

ConnectIT

CE & CI – External & Internal Quick Connectors



Used for proof testing, leak testing,
leak detection, filling and emptying of media.

Specialist in leak testing since 1973



- Leak Testing -



ERGONOMIC AND USER FRIENDLY:

Nolek has developed tool solutions to rationalize temporary seals since 1973. We have a very large selection of standard quick connectors and fittings both for external and internal connection. Activation can be carried out manually or pneumatically. The ConnectIT category is divided between CE- Connectors External and CI – Connectors Internal. Furthermore, we design and manufacture customized connectors after customer specifications. Areas of use:

- For Liquids
- For Gases
- For Testing: Pressure Testing, Leak Testing or Leak Detection.
- For Filling or Emptying media.

Standard connectors:

We have a wide range of standard quick connectors with different design and sizes. These are divided into two main categories:

CE – Connectors for external connection

CI – Connectors for internal connection



Custom made designs:

We can create a suitable quick connector / tool with your specific requirements. The standard range we have can be easily altered to fit your application. We can also produce totally diverse types of connectors for most types of applications.



For all types of objects:

Connectors are available for practically all different kinds of objects. We manufacture the connector taking into consideration the testing pressure, working media, working conditions and appearance.

Contact us for further information:

We look forward to help you with further information and suggestions on quick connectors that suit your specific needs. Technical manuals are provided separately for the quick connector you are interested in. Contact us for further information.

Sweden (Corporate Headquarters)

Nolek AB
Hantverkarvägen 11
145 63 Norsborg
Sweden

Phone: +46 8 531 942 00
Fax: +46 8 531 711 50
E-mail: Hinfo@nolek.com
www.nolek.com

Malaysia (Asian Regional office)

Nolek- Renorex Asia
6, Jalan Kampung Baru 08000
Sungai Petani Kedah
Malaysia

Phone: +60 4 421 33 84
Fax: +60 4 421 57 55
E-mail: Hslchua@renorex.com.my
www.renorex.com.my

USA (North-American Regional office)

Nolek Inc
P.O Box 204
Plympton, MA 02367
USA

Phone: +1 781 585 5606
Fax: +1 781 585 5606
E-mail: Hnolekinc@nolek.com
www.nolek.com

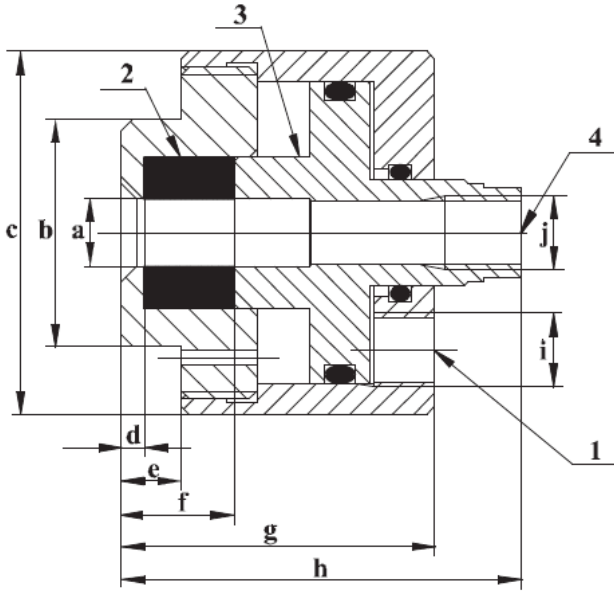


AUTOMATIC TYPE CE – CONNECTOR EXTERNAL

Applications

Pneumatically controlled connector for easy and quick connecting of test pieces (external) for proof testing, leak testing and leak detection.

Mode of Operation



- The Nolek connector is positioned manually or automatically.
- Compressed air is supplied to port 1 from a manually or automatically controlled valve or automatically from a Nolek leak testing instrument.
- Seal 2 is compressed axially by piston 3. The seal expands radially and seals between connector and test piece.
- The pressure testing medium, compressed air, vacuum or water is supplied via port 4 from a manually or automatically controlled valve.
- The pressure testing medium fills the test piece to the preset pressure.
- Pressure testing / tightness testing / leak detection may now proceed.
- When the test is completed, the test medium is evacuated.
- The compressed air is evacuated from port 1 and the seal repels the piston. The piston returns to its initial position.

Test piece connecting diameter a Ø mm	Max testing press. at 4 bar pilot pressure		b Ø mm	c Ø mm	d mm	e mm	f mm	g mm	h mm	i thread	j thread
	Secured	Not Secured									
3-5 5-7 7-9	8	4	30,0	48,0	4,0	8,0	18,0	42,0	53,0	G 1/8"	G 1/8"
9-11 11-13 13-15	8	3	35,0	48,0	4,0	8,0	18,0	42,0	53,0	G 1/8"	G 1/8"
15-17 17-19 19-20	8	2	40,0	48,0	4,0	8,0	18,0	42,0	53,0	G 1/8"	G 1/8"
20-22 22-24 24-26	8	2	50,0	70,0	4,0	13,0	28,0	64,0	78,0	G 1/8"	G 1/4"
26-28 28-30 30-32	8	2	56,0	70,0	4,0	13,0	28,0	64,0	78,0	G 1/8"	G 1/4"
32-34 34-36 36-38	8	2	62,0	70,0	4,0	13,0	28,0	64,0	78,0	G 1/8"	G 1/4"
38-41 41-44 44-47 47-50	8	1	70,0	100,0	7,0	37,0	39,0	95,0	119,0	G 1/8"	G 3/8"
50-53 53-56 56-59 59-62 62-65 65-68 68-71	8	1	93,0	120,0	5,0	41,0	53,0	95,0	124,0	G 1/8"	G 1/2"

Our standard connectors are available in dimensions up to 95-98. Other dimensions, special design or special material are offered on request.
*Depends on material and friction

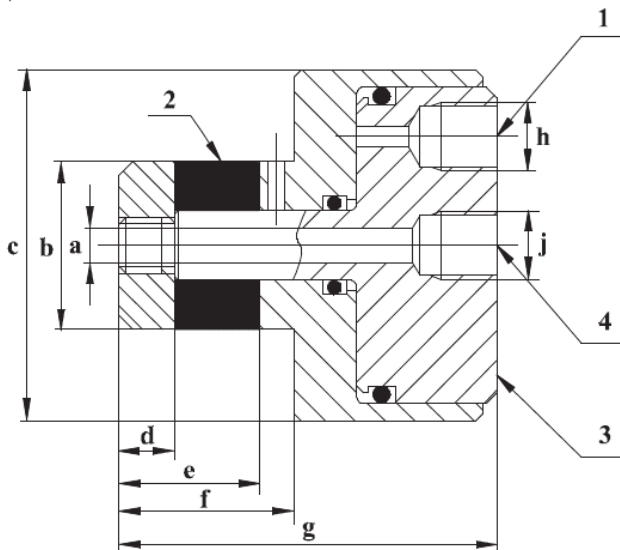


AUTOMATIC TYPE CI: CONNECTOR INTERNAL

Applications

Pneumatically controlled connector for easy and quick connecting of test pieces (internal) for proof testing, leak testing and leak detection.

Mode of Operation



- The Nolek connector is positioned manually or automatically.
- Compressed air is supplied to port 1 from a manually or automatically controlled valve or automatically from a Nolek leak testing instrument.
- Seal 2 is compressed axially by piston 3. The seal expands radially and seals between connector and test piece.
- The pressure testing medium, compressed air, vacuum or water is supplied via port 4 from a manually or automatically controlled valve.
- The pressure testing medium fills the test piece to the preset pressure.
- Pressure testing / tightness testing / leak detection may now proceed.
- When the test is completed, the test medium is evacuated.
- The compressed air is evacuated from port 1 and the seal repels the piston. The piston returns to its initial position.

Test piece connecting diameter b Ø mm	Max testing press. at 4 bar pilot pressure		a Ø mm	c Ø mm	d Ø mm	e mm	f mm	g mm	h thread	i thread
	Secured	Not Secured								
10-12 12-14 14-16	8	5	2,5	40,0	4,0	14,0	18,5	59,0	G 1/8"	G 1/8"
16-18 18-20 20-22	8	5	4,0	40,0	6,5	15,0	20,0	62,0	G 1/8"	G 1/8"
22-24 24-26 26-28	8	5	4,0	50,0	7,0	19,0	24,0	54,0	G 1/8"	G 1/8"
28-30 30-32 32-34	8	5	7,0	60,0	11,0	32,0	37,0	67,0	G 1/8"	G 1/8"
34-37 37-40 40-43	8	2	9,5	75,0	16,0	46,0	55,0	91,0	G 1/8"	G 1/4"
43-47 47-51 51-55	8	2	12,0	90,0	16,0	46,0	57,0	93,0	G 1/8"	G 1/2"
55-58 58-62 62-65	8	1	12,0	100,0	16,0	57,0	67,0	105,0	G 1/8"	G 1/2"
65-69 69-72 72-75	8	1	12,0	110,0	16,0	65,0	76,0	117,0	G 1/8"	G 1/2"



Our standard connectors are available in dimensions up to 82-85. Other dimensions, special design or special material are offered on request.
*Depends on material and friction.

MODELS AND ARTICLE NUMBERS:

CE- CONNECTORS EXTERNAL

Article No.	Type	Pipe Ø mm	Thread meas.	Thread pilot
CE0305	CE 3-5	03-05	1/8"	1/8"
CE0507	CE 5-7	05-07	1/8"	1/8"
CE0709	CE 7-9	07-09	1/8"	1/8"
CE0911	CE 9-11	09-11	1/8"	1/8"
CE1113	CE 11-13	11-13	1/8"	1/8"
CE1315	CE 13-15	13-15	1/8"	1/8"
CE1517	CE 15-17	15-17	1/8"	1/8"
CE1719	CE 17-19	17-19	1/8"	1/8"
CE1921	CE 19-21	19-21	1/8"	1/8"
CE2022	CE 20-22	20-22	1/4"	1/8"
CE2224	CE 22-24	22-24	1/4"	1/8"
CE2426	CE 24-26	24-26	1/4"	1/8"
CE2628	CE 26-28	26-28	1/4"	1/8"
CE2830	CE 28-30	28-30	1/4"	1/8"
CE3032	CE 30-32	30-32	1/4"	1/8"
CE3234	CE 32-34	32-34	1/4"	1/8"
CE3436	CE 34-36	34-36	1/4"	1/8"
CE3638	CE 36-38	36-38	1/4"	1/8"
CE3841	CE 38-41	38-41	3/8"	1/8"
CE4144	CE 41-44	41-44	3/8"	1/8"
CE4447	CE 44-47	44-47	3/8"	1/8"
CE4750	CE 47-50	47-50	3/8"	1/8"
CE5053	CE 50-53	50-53	1/2"	1/8"
CE5356	CE 53-56	53-56	1/2"	1/8"
CE5659	CE 56-59	56-59	1/2"	1/8"
CE5962	CE 59-62	59-62	1/2"	1/8"
CE6265	CE 62-65	62-65	1/2"	1/8"
CE6568	CE 65-68	65-68	1/2"	1/8"
CE6871	CE 68-71	68-71	1/2"	1/8"
CE7174	CE 71-74	71-74	1/2"	1/8"
CE7477	CE-74-77	74-77	1/2"	1/8"
CE7780	CE 77-80	77-80	1/2"	1/8"

CI- CONNECTORS INTERNAL

Article No.	Type	Pipe Ø mm	Thread meas.	Thread pilot
CI1012	CI 10-12	12-okt	1/8"	1/8"
CI1214	CI 12-14	14-dec	1/8"	1/8"
CI1416	CI 14-16	14-16	1/8"	1/8"
CI1618	CI 16-18	16-18	1/8"	1/8"
CI1820	CI 18-20	18-20	1/8"	1/8"
CI2022	CI 20-22	20-22	1/8"	1/8"
CI2224	CI-22-24	22-24	1/8"	1/8"
CI2426	CI 24-26	24-26	1/8"	1/8"
CI2628	CI 26-28	26-28	1/8"	1/8"
CI2830	CI 28-30	28-30	1/8"	1/8"
CI3032	CI 30-32	30-32	1/8"	1/8"
CI3234	CI 32-34	32-34	1/8"	1/8"
CI3437	CI 34-37	34-37	3/8"	1/8"
CI3740	CI 37-40	37-40	3/8"	1/8"
CI4043	CI 40-43	40-43	3/8"	1/8"
CI4347	CI 43-47	43-47	1/2"	1/8"
CI4751	CI 47-51	47-51	1/2"	1/8"
CI5155	CI 51-55	51-55	1/2"	1/8"
CI5558	CI 55-58	55-58	1/2"	1/8"
CI5862	CI 58-62	58-62	1/2"	1/8"
CI6265	CI 62-65	62-65	1/2"	1/8"
CI6569	CI 65-69	65-69	1/2"	1/8"
CI6972	CI 69-72	69-72	1/2"	1/8"
CI7275	CI 72-75	72-75	1/2"	1/8"
CI7579	CI 75-79	75-79	1/2"	1/8"
CI7579	CI 79-82	79-82	1/2"	1/8"