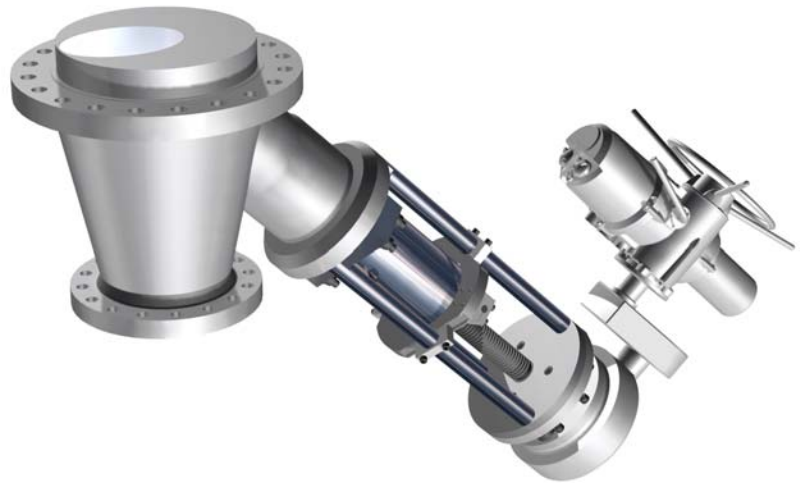


**VP Series**

VESSEL & REACTOR VALVES

**METAL & DUAL SEATED PISTON VALVES**



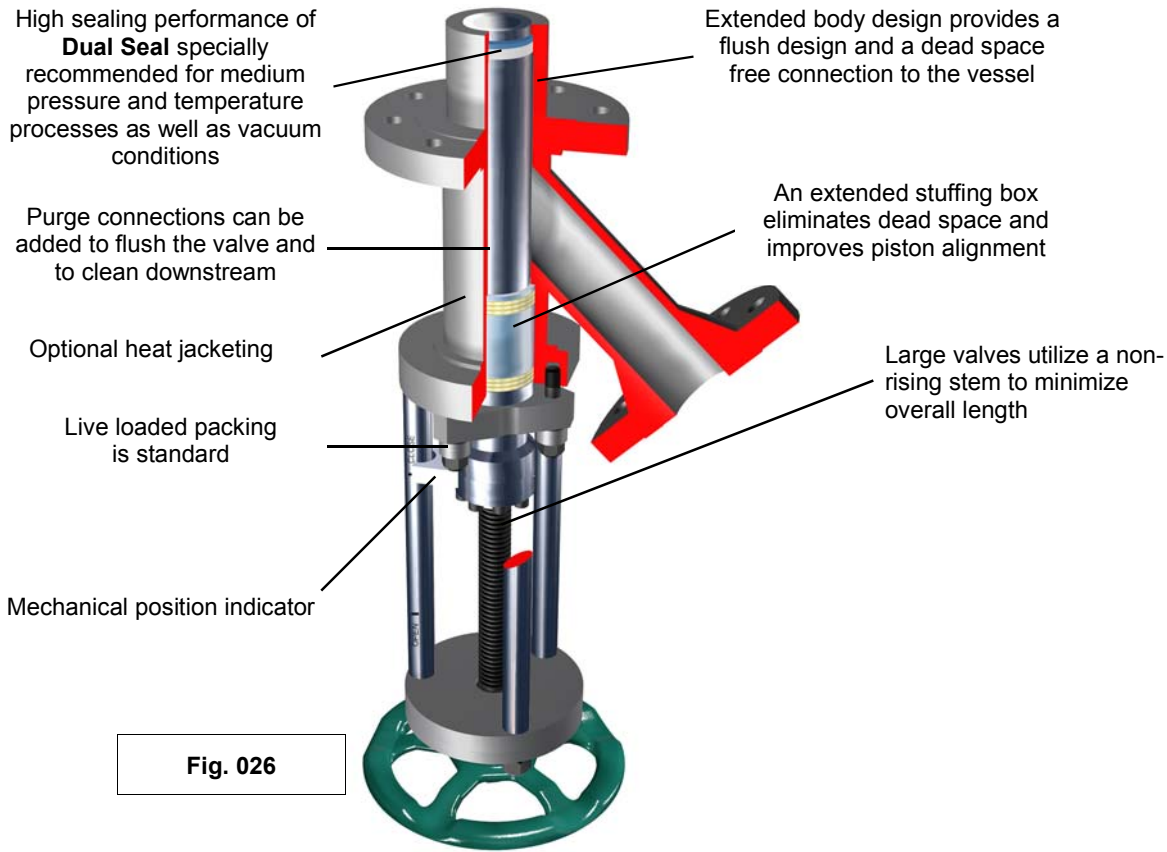
 *Strahman*

PROCESS VALVES

# HIGH PERFORMANCE PISTON VALVES

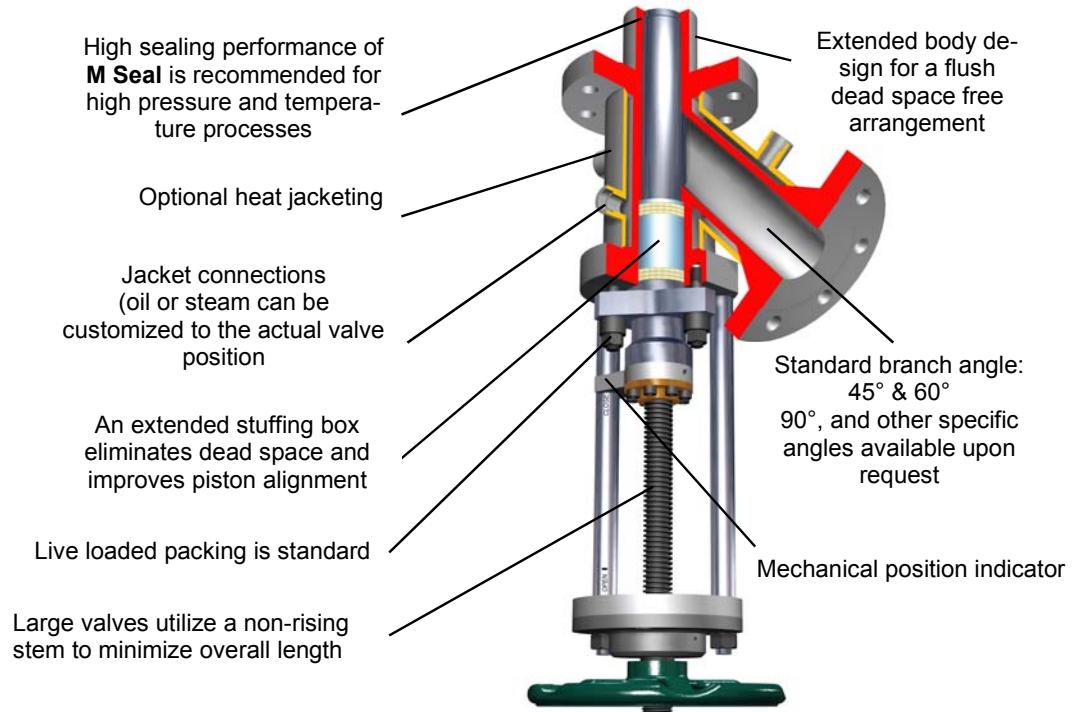
## Dual Seal Piston Valve

Code: **VP4D-VP6D**



## M Seal Piston Valve

Code: **VP4D-VP6D**



Strahman **M Seal & Dual Seal** designs are dead space free reactor outlet valves. When opening, the piston retracts completely into the valve body providing an unrestricted full flow. In combination with our maximized port sizes, this design offers maximum flow capacity. **M Seal** is specially designed for high pressure and temperature applications such as polymer processes. For mid-range pressure and temperature applications with slurries or high viscosity products **Dual Seal** offers the unique double sealing reliability.

Strahman valves are available in a choice of options including material of construction, actuators and customized or standard connections to piping. Other specific features are full jacketing, vacuum package and dead space free connections to vessels.

Typical applications include the draining of viscous products especially in combination with low pressure and/or vacuum processes.

---

## BODY ARRANGEMENTS

Strahman **M Seal, M Ring Seal, M Control and Dual Seal** Piston valves use the following designs:

- Figure **023** or **030** are for small sizes or high pressure applications. Valves have a rising stem design.
- Figure **026** or **035** are for large sizes. Valves have non-rising stems to minimize overall dimensions.

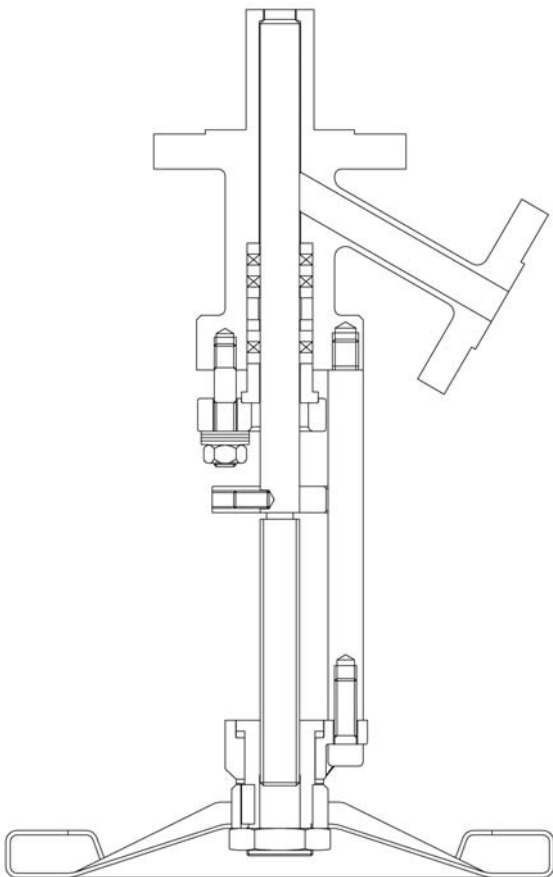


Fig. 023 & 030

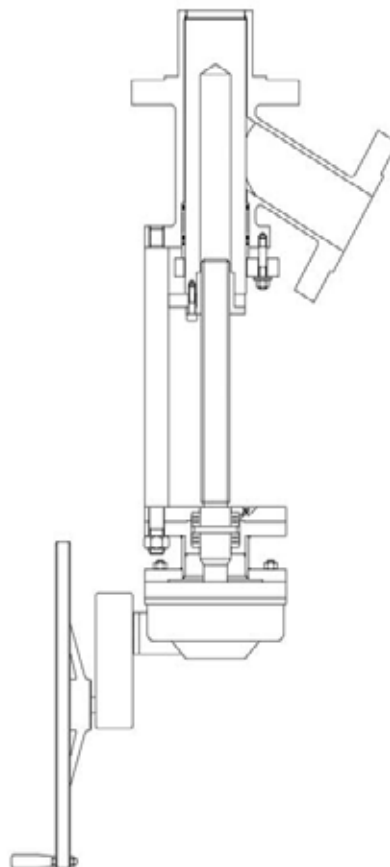
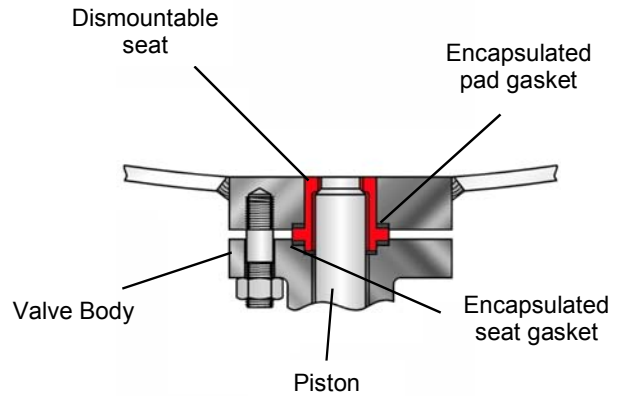


Fig. 026 & 035

## DISMOUNTABLE SEAT

As an option the body seat can be dismantable. This is an attractive option when the process is corrosive during the reaction. Parts directly in contact with the process (seat and trim) are made of sophisticated alloys while valve body and piping are fabricated from regular materials.

Note: The closing effort is transferred to the pad bolting and the body flange. A stress calculation is required to check the correct sizing of the bolting section & the flange thickness. Strahman engineers will be pleased to make these calculations.



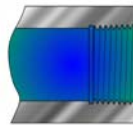
## LINE & BRANCH CONNECTIONS



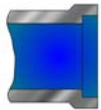
Flanges  
ANSI, DIN, JIS



Heated Flanges



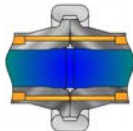
Threaded connections



Socket Weld



Butt Weld



Fast Bolting Union  
Graylock Securamax

## JACKET CONNECTIONS



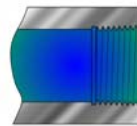
Flanges  
ANSI, DIN, JIS



Butt Weld



Socket Weld  
& FNTF



Threaded connections

## ACTUATION OPTIONS



Hand Wheel



Bevel Gear



Electric Actuator



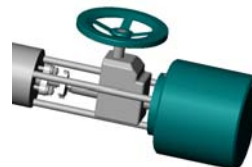
Air Motor



Double or single acting Air Cylinder



Double or single acting Air Cylinder with Safety Hand Wheel



Double or single acting Air Cylinder with side mounted Safety Hand Wheel



Hydraulic Cylinder

# TECHNICAL & GENERAL INFORMATION

## Design Code & Construction

- Design standard compliant with ASME B16.34
- International standards include ANSI, DIN, JIS, API etc.
- Wide range of material selections including carbon steel / stainless steel / Titanium / Hastelloy / Duplex / Monel / Tantalum / Zirconium
- Fabricated, cast, forged and bar stock designs
- Combinations of fabricated, sand and investment casings, and bar stock available

## Surface Finish

- For polymer applications, Strahman recommends a surface facing of 300 (Ra 0.4) for all parts are in contact with the medium

## Quality assurance & testing

- ISO 9001 compliant
- PED / ATEX / CE marking
- TUV / HPO / TA Luft
- Standard testing procedures

# RANGE DEFINITION

VP Manufacturing Range	PN												
	10	16	20-150 lbs.	25	40	50 300 lbs.	64 400 lbs.	100 600 lbs.	150/160 -900 lbs.	250 -1500 lbs	320	420-2500 lbs	630 -4500 lbs
3/8" - DIN10													
1/2" - DIN15													
3/4" - DIN20	<b>M Seal and Dual Seal</b>												
1" - DIN25													
1 1/4" - DIN32													
1 1/2" - DIN40													
2" - DIN50													
2 1/2" - DIN65													
3" - DIN80													
4" - DIN100													
5" - DIN125													
6" - DIN150													
8" - DIN200													
10" - DIN250													
12" - DIN300													
14" - DIN350													
16" - DIN400													
18" - DIN450													
20" - DIN500													
24" - DIN600													
28" - DIN700													
32" - DN800													
36" - DN900													
40" - DN1000													
44" -DN1100													
48" - DN1200													

VPS Manufacturing Range	PN												
	10	16	20-150 lbs.	25	40	50 300 lbs.	64 400 lbs.	100 600 lbs.	150/160 -900 lbs.	250 -1500 lbs	320	420-2500 lbs	630 -4500 lbs
3/8" - DIN10													
1/2" - DIN15													
3/4" - DIN20													
1" - DIN25													
1 1/4" - DIN32													
1 1/2" - DIN40													
2" - DIN50													
2 1/2" - DIN65													
3" - DIN80													
4" - DIN100													
5" - DIN125													
6" - DIN150													
8" - DIN200													
10" - DIN250													
12" - DIN300													
14" - DIN350													
16" - DIN400													
18" - DIN450													
20" - DIN500													
24" - DIN600													
28" - DIN700													
32" - DN800													
36" - DN900													
40" - DN1000													
44" -DN1100													
48" - DN1200													

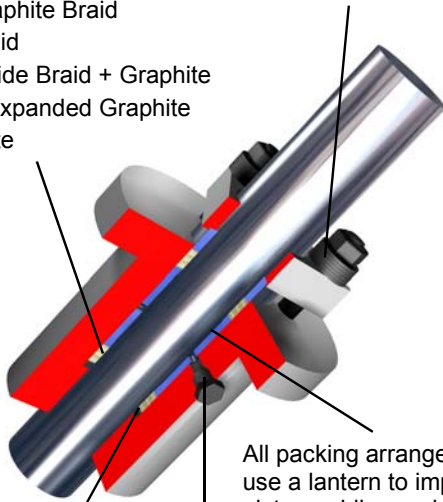
**Fig. 039**

## PACKING DEFINITION

Typical Packing Materials:

- PTFE
- PTFE / Aramide Braid
- Carbon / Graphite Braid
- Graphite Braid
- PTFE /Aramide Braid + Graphite
- Lamellar + Expanded Graphite
- Pure Graphite

Live loaded packing arrangement minimizes maintenance



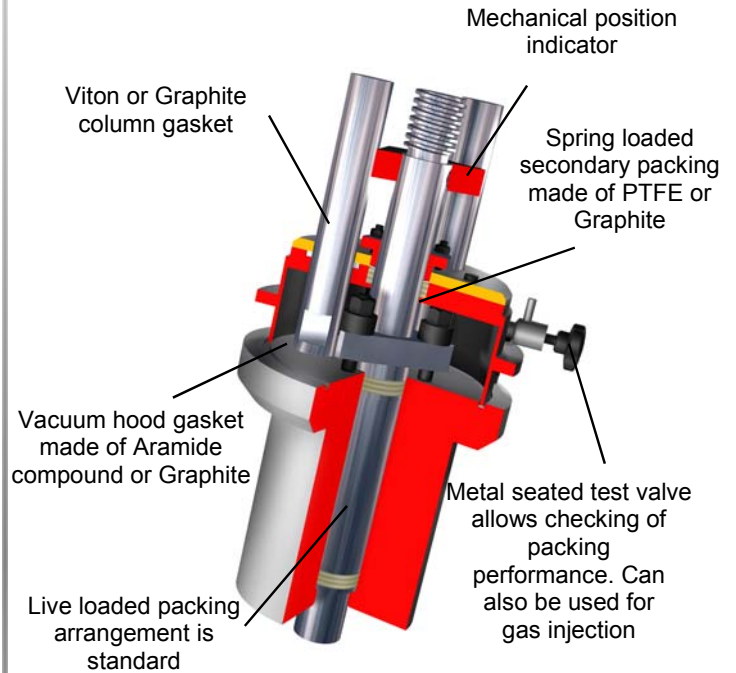
Bottom ring material is selected with a differential hardness from the piston to prevent piston damage

All packing arrangements use a lantern to improve piston guiding and avoid dead space in body cavities

Optional 1/4 inch NPTF can be used for leak detection or inert gas injection to avoid leakage to atmosphere by creating an over pressure

## VACUUM HOOD

For valves on full vacuum service Strahman offers a special **vacuum package** that maintains tightness to atmosphere. Valves with this package are usually equipped with an **M Ring Seal** design as process sealing. The system uses a replaceable aluminium or nickel seal ring and provides high vacuum performance. This special **vacuum package** provides zero leakage between atmosphere and process.



## STANDARD PAD GASKET RANGE

- PTFE
- Aramide / Nitrile
- Carbon / Aramide
- Laminated Graphite
- Laminated Graphite / 316
- Spiral Wound 316L / PTFE
- Spiral Wound 316L / Graphite
- Spiral Wound Inconel / Graphite
- Spiral Wound Titanium / Graphite
- Perfluoroelastomer (Kalrez) O
- Welded Lips
- Metallic O Ring Helicoflex Gasket Aluminium/316
- Metallic O Ring Helicoflex Gasket Nickel/Nimonic 90
- 316L RTJ
- Nitrile O Ring
- EPDM O Ring
- Silicone O Ring
- Fluorocarbon (Viton) O Ring
- Silicone FEP Jacketed O Ring

## STANDARD BODY GASKET RANGE

- PTFE
- Aramide / Nitrile
- Carbon / Aramide
- Laminated Graphite
- Laminated Graphite / 316
- Spiral Wound 316L / PTFE
- Spiral Wound 316L / Graphite
- Spiral Wound 321 / Graphite
- Spiral Wound Inconel / Graphite
- Spiral Wound Titanium / Graphite
- Welded Lips

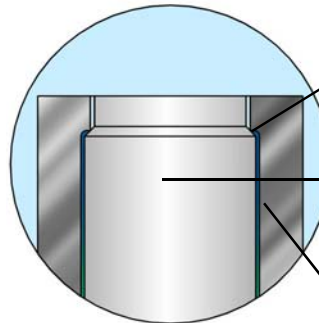
## Valve Coding System

	V	P	4	S	B	J
V Vessel Reactor Valves						
P Piston D Disc R Rising Disc A Accessories						
4 45° Branch Angle 6 60° Branch Angle 9 90° Branch Angle S Straight \$ Special						
S Soft Seated M M Seal C M Control D Dual Seal R M Ring Seal						
B Extended Body P Extended Plunger c D Dismountable Seat \$ Special						
J Jacketed - Non-Jacketed						



## SEALING SYSTEMS

**M Seal-** This sealing system offers a wide range of material combinations selected to create a differential hardness between body and plunger seat. The maintenance friendly design of the **M Seal** system provides long & reliable valve performance and is suitable for almost all process conditions.



Valve Body

Greater hardness on body seat assures that wear occurs on piston first  
- Easy maintenance is key  
One-piece piston design provides the geometrical arrangement to ensure long-term performance

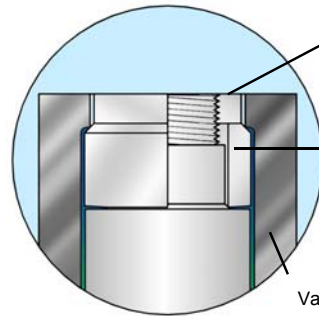
**Temperature**

Min: -200° C / -330° F  
Max: 815° C / 1500° F

**Pressure**

Max: 630 bar / 9000 psig

**M Ring Seal-** The **M Ring Seal** is also based on a differential hardness between the body and the piston surface. The replaceable metallic seal ring made of aluminum, nickel or titanium provides excellent sealing performance especially in applications that combine full vacuum and temperatures above 200° C.



Valve Body

Locking nut is secured by a tack weld

Resilient metal ring seals between the body seat and disc and provides high performance sealing for vacuum and high temperature applications

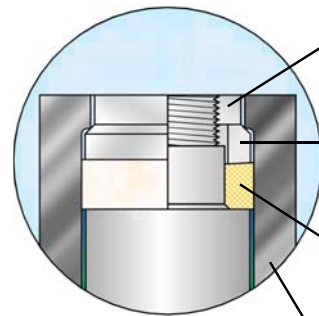
**Temperature**

Min: -200° C / -330° F  
Max: 450° C / 840° F

**Pressure**

Max: 250 bar / 3550 psig & full vacuum

**Dual Seal-** The **Dual Seal** is a unique double sealing system that works like a piston operating within a cylindrical seat. Unlike other designs, the secondary resilient seal ring is mounted on the piston and will expand after metal to metal contact of the primary seat ring. The design provides a true metal to metal seal in case of resilient seat failure.



Valve Body

Locking nut is secured by a tack weld

The primary metal to metal seal ring compresses the secondary resilient seal ring

A secondary seal ring is made of resilient material like PTFE, PTFE glass filled

**Temperature**

Min: -50° C / -60° F  
Max: 200° C / 450° F

**Pressure**

Max: 250 bar / 3550 psig & full vacuum

## VESSEL CONNECTIONS

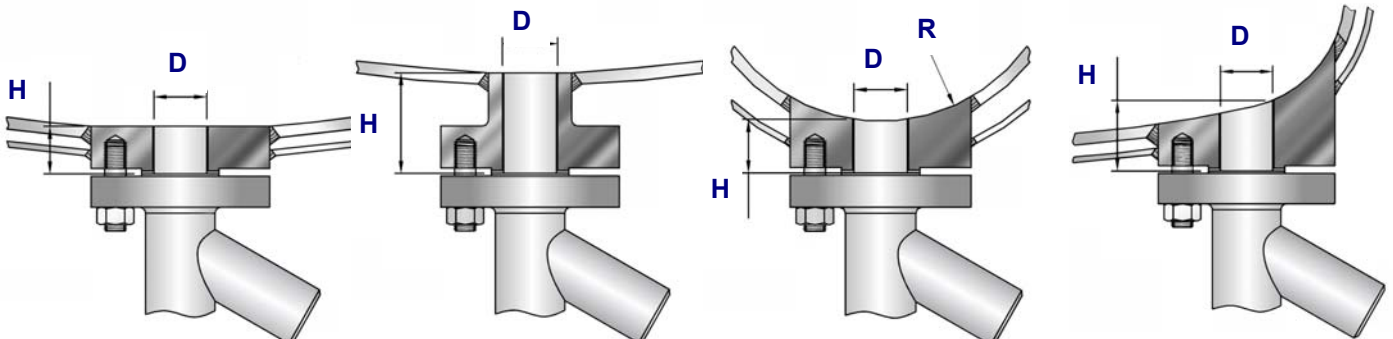
To connect valves to existing vessels or reactors, there are two possibilities: a nozzle or a pad connection. In both cases, the customer must specify the following vessel connection details: « **D** » (inside diameter), « **H** » (height), **DN** (nominal size), **PN** (pressure rating) and connection **standard** (ISO, ANSI, DIN, etc.). To eliminate retention areas radius « **R** » can be specified for optional contouring. For new projects Strahman can supply valves with easy-to-fit standardized pads that are ready to be installed.

Vessel Pad

Vessel Nozzle

Pipe Assembly Pad

Custom Vessel Pad



The Strahman family of products include:

**SAMPLING VALVES**

Strahman has a full line of sampling valves that produce live samples without exception. Our sampling valves unique design prevent failure caused by sediment or clogging.

**DRAIN VALVES**

Strahman Drain Valves are designed to prevent clogging. They are ideal for use in liquid and gas service or with slurries, polymers, and high viscosity fluids that tend to solidify at room temperature.

**WASH DOWN EQUIPMENT**

Strahman offers a full line of mixing units, hose stations, hoses, nozzles and wash down accessories. Our wash down line is designed for industrial use and is used in a wide variety of industries including food, beverage, pharmaceutical, chemical and other applications.

**LINE BLINDS**

Strahman Line Blinds provide zero leakage down stream and total isolation on process pipelines, vessels, and maritime applications. No pipeline movement is required when blind position is changed.

Please contact your local Strahman representative for further details  
or  
visit our website : [www.strahmanvalves.com](http://www.strahmanvalves.com)



**Corporate Headquarters:**

Strahman Valves, Inc. 2801 Baglyos Circle, Bethlehem, PA 18020  
Tel: 484. 893.5080 • Fax: 484.893.5099

**Strahman France:**

Savoie Hexapole, F-73420, Mery, France  
Tel: + 33 4 79 35 78 00 • Fax: + 33 4 79 35 78 20

**Strahman German Office**

Kirchstrasse 16, D-77855, Achern, Germany  
Tel: +49 7841 6846530 • Fax: +49 7841 6846531

*Last Updated: July, 2012*



ISO 9001  
QMI-SAI Global