

# XDD1 Diaphragm Vacuum Pump



1

Page 48



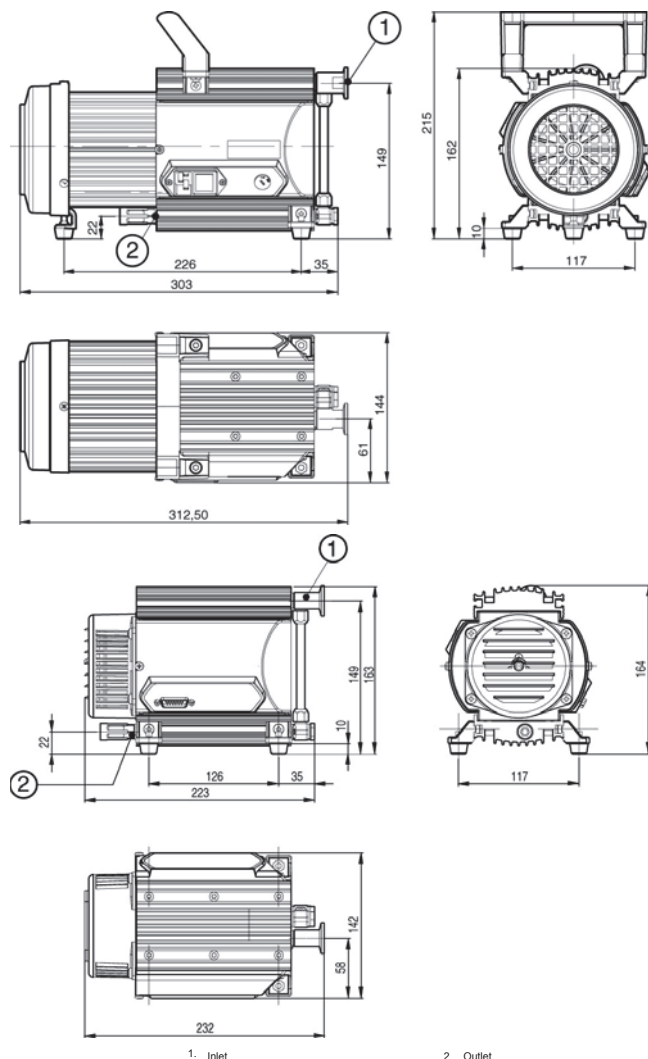
The Edwards XDD1 diaphragm pumps are used for backing small compound turbomolecular pumps in clean, high vacuum applications. They comply with EN61010, EN1012, CSA/UL and are designed to be free standing bench top units.

The a.c. voltage motor can be used on worldwide supplies ranging from 100 to 115 V, and 200 to 230 V. The d.c. voltage motor runs on 24 V via a 15 pin DIN connector. By selecting the appropriate mode the pump speed can be controlled by the user to provide variable pumping speed. This version is suited to the customer who is building their own a system. Pumps are not supplied with connection cables. A suitable cable should be ordered with the pump.

## Features & Benefits

- Dry pumping, oil free turbomolecular backing pump with no oil disposal issues
- Compact and lightweight with a small footprint
- Worldwide a.c. voltage or 24 V d.c.
- On/off switch
- EN 60320 connector on AC pumps

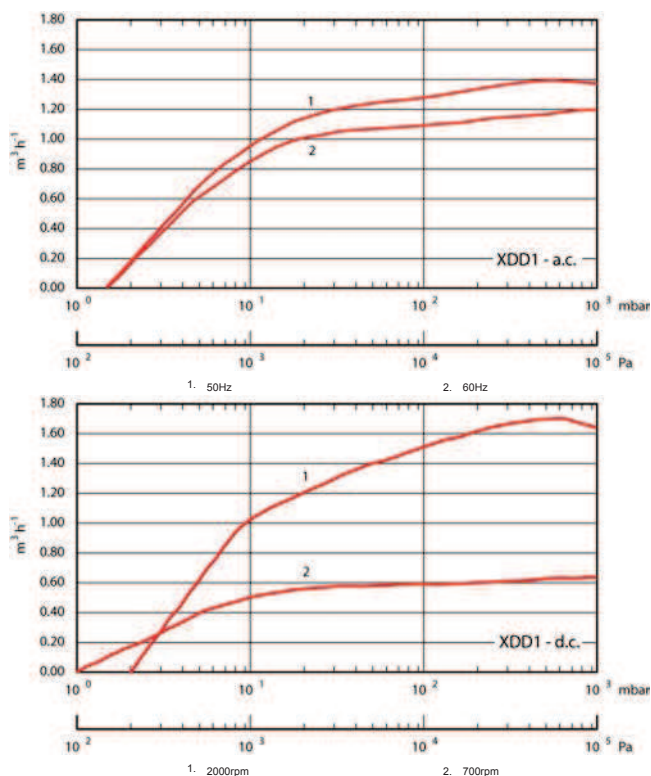
## Dimensions



## Applications

- RGA
- Mass spectrometers
- Cryostat and Dewar evacuation
- Ion pump evacuation
- Surface science

## Performance Curves



## Technical Data

Pumping Speed	
a.c.	1.2 m <sup>3</sup> h <sup>-1</sup> 50Hz, 1.5 m <sup>3</sup> h <sup>-1</sup> 60Hz
d.c.	0.6 m <sup>3</sup> h <sup>-1</sup> 600 rpm, 1.6 m <sup>3</sup> h <sup>-1</sup> 2200rpm
Ultimate vacuum (typical)	<2 mbar
Ambient temperature limit	10 to 40 °C
Inlet connection	NW16
Exhaust connection	The pump is fitted with a silencer which can be removed and an exhaust line connected with a 1/8 inch BSP fitting
Max allowed inlet pressure	1 bara
Power connector	IEC EN60320 C13
Motor power	
a.c.	80 W
d.c.	64 W
Weight	
a.c.	6.5 kg
d.c.	4.1 kg

## Ordering Information

Product Description	Order No.
XDD1 Diaphragm Pump 100-115V/200-230V 50/60 Hz	A74602983
XDD1 Diaphragm Pump 24 V d.c.	A74602991
Accessories & Spares	Order No.
2m electrical supply cable for 1-ph pumps, UK plug 3A	A50516000
2m electrical supply cable for 1-ph pumps, no plug	A50508000
2m electrical supply cable for 1-ph pumps, North America/Japan plug	A50507000
2m electrical supply cable for 1-ph pumps, North European plug	A50506000
XDD1 diaphragm service kit	A74601800