

Sediment Strainer (Type Y)

Features

- Material with high resistance to corrosion, chemicals and wear.
- Transparent body that allows for checking of inside flow.
- Easy screen cleaning, disassembly/assembly for replacement and maintenance.



Basic specifications

- Valve Type : Sediment Strainer (Type Y)
- Size : 15 mm — 100 mm (1/2 inch — 4 inch)
- Body Material : U-PVC (Conforming to ASTM D1784 Cell Classification 12454A)
- Seal Material / O-ring : EPDM, FKM, etc.
- Connection / Flanged : JIS B2220 5K, JIS B2220 10K, DIN/EN1092-1 PN10, ANSI B16.5 CLASS150
- Socket : JIS, DIN, ASTM SCH40/SCH80
- Threaded : Rc, Rp, NPT

Body Material	FLUID TEMPERATURE °C {°F}	Maximum working pressure (Normal temperature) MPa {psi}		CONNECTION METHOD		
		15mm - 50mm	65mm - 100mm	FLANGED	SOCKET	THREADED
U-PVC	0 ~ 50 { 30~120 }	1.0 { 150 }	0.6 { 85 }	○	○	○

Note: For information on chemical resistance, contact our sales office.

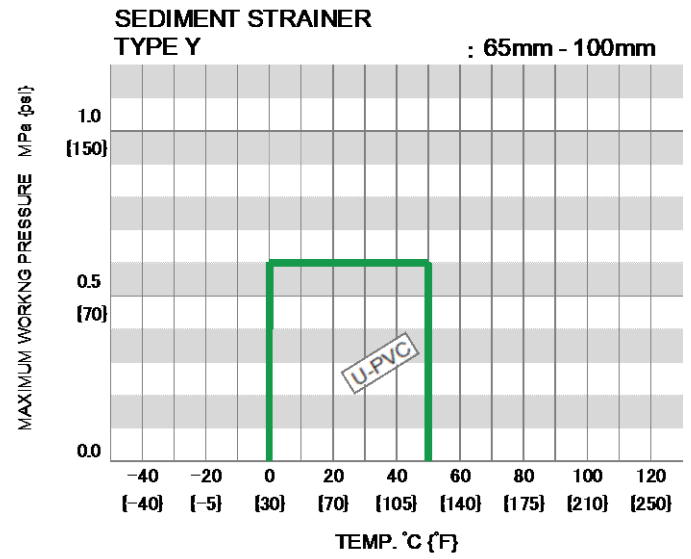
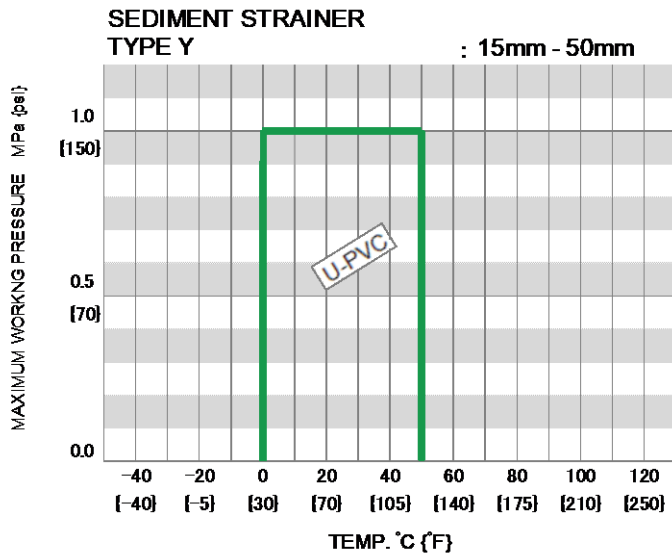
- Avoid direct sunlight and store it indoors. Also avoid storing the valve in a place that may be exposed to high temperatures.
- Pay attention to the direction of flow when mounting the product on a pipe. (It is indicated by an arrow on the valve parts.)
- Clean the screen periodically. (Handle the screen with utmost care during cleaning.)
- Make sure during piping work that the valve is not exposed to direct sunlight.
- Note that volatile liquids, such as hydrogen peroxide solution (H₂O₂) and sodium hypochlorite (NaClO), may cause abnormal pressure increase in strainer. If the valve breaks in this state, it will be very dangerous, causing explosion and scattering of fragments.)
- The Y-shaped strainer, in particular, has such a structure that the corners are susceptible to the effects of repeated stress due to internal variations. Therefore, for lines where pulsation (including air hammer and water hammer) may occur, take adequate measures during piping installation. Otherwise breakage may occur. Also, perform periodic check (approx. once a year).
- Piping lines mode of copper require particular attention because the effects of stress such as internal fluctuations are concentrated on the Y-shaped strainer.

Certificate / Approval / Directive

PED, NSF/ANSI61

“For details of applicable products, please consult us.”

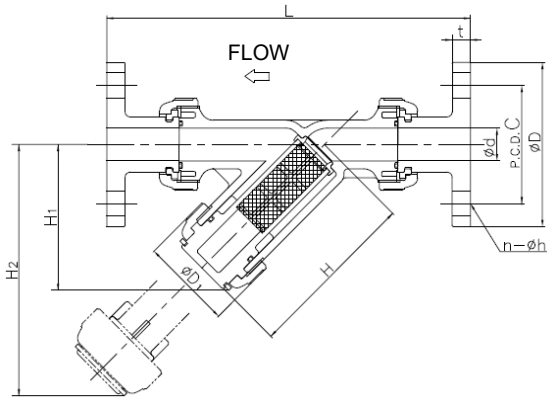
Working pressure vs. Temperature



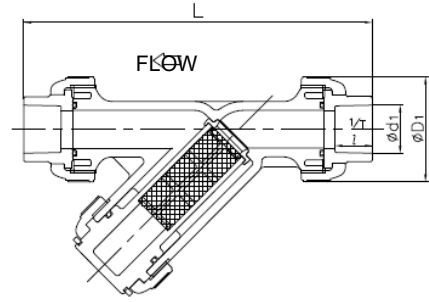
Make sure that the temperature and pressure are within the working range during operation.
(If the tolerance range is exceeded during use, the valve may be damaged.)

Product dimension

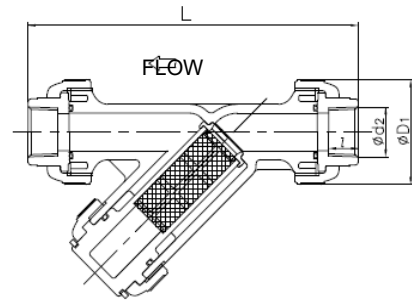
FLANGED



SOCKET



THREADED



■ JIS (Unit: mm)

							JIS																
							FLANGED								SOCKET				THREADED				
mm	inch	d	D ₁	H	H ₁	H ₂	JIS 5K				JIS 10K				L	t	d ₁	ℓ	1/T	L	d ₂	ℓ	L
							D	C	n	h	D	C	n	h									
15	1/2	15	48	97	78	134	80	60	4	12	95	70	4	15	206	12	22.11	20	1/34	172	Rc 1/2	15	165
20	3/4	20	60	120	98	168	85	65	4	12	100	75	4	15	254	14	26.13	24	1/34	210	Rc 3/4	17	202
25	1	25	70	133	111	189	95	75	4	12	125	90	4	19	280	14	32.16	27	1/34	238	Rc 1	20	224
32	1 1/4	40	100	177	149	256	115	90	4	15	135	100	4	19	336	16	38.19	30	1/34	298	Rc 1 1/4	22	287
40	1 1/2	40	100	177	149	256	120	95	4	15	140	105	4	19	336	16	48.21	37	1/37	313	Rc 1 1/2	25	287
50	2	51	106	190	160	277	130	105	4	15	155	120	4	19	361	16	60.25	42	1/37	346	Rc 2	28	324
65	2 1/2	78	152	271	234	399	155	130	4	15	175	140	4	19	477	18	76.60	61	1/48	487	Rc 2 1/2	32	436
80	3	78	152	271	234	399	180	145	4	19	185	150	8	19	477	18	89.60	64	1/49	487	Rc 3	35	436
100	4	100	210	361	316	537	200	165	8	19	210	175	8	19	608	18	114.70	84	1/56	653	Rc 4	45	596

■ DIN (Unit: mm)

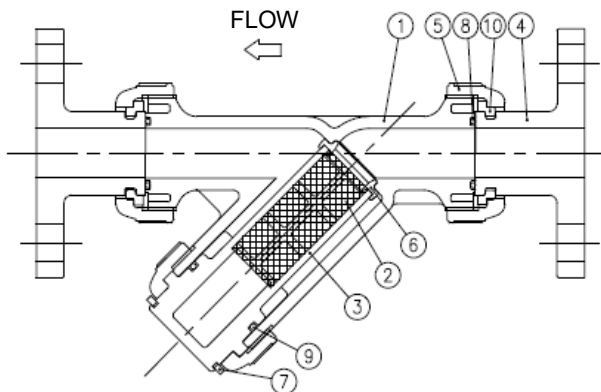
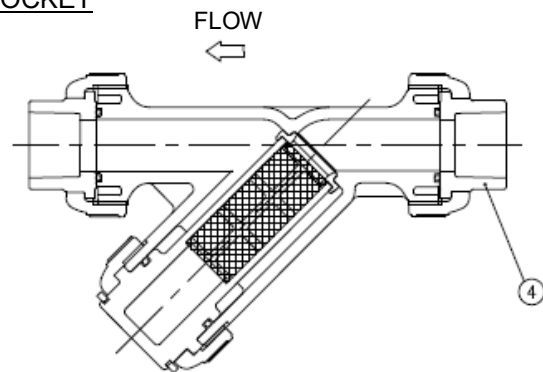
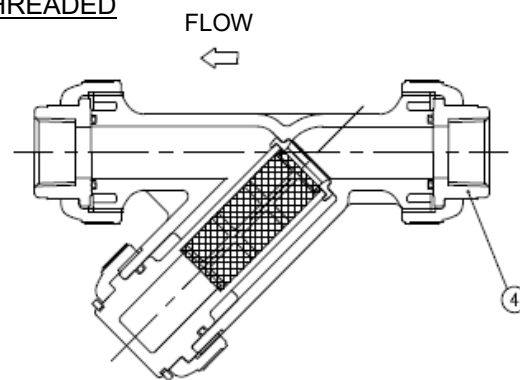
							DIN														
							FLANGED					SOCKET					THREADED				
mm	inch	d	D ₁	H	H ₁	H ₂	D	C	n	h	L	t	d ₁	ℓ	L	d ₂	ℓ	L			
																			15	1/2	15
20	3/4	20	60	120	98	168	105	75	4	14	232	14	25	19	201	Rp 3/4	17	202			
25	1	25	70	133	111	189	115	85	4	14	253	14	32	22	224	Rp 1	20	224			
32	1 1/4	40	96	177	149	256	140	100	4	18	336	16	40	26	298	Rp 1 1/4	22	287			
40	1 1/2	40	96	177	149	256	150	110	4	18	324	16	50	31	288	Rp 1 1/2	25	287			
50	2	51	106	190	160	277	165	125	4	18	360	16	63	38	337	Rp 2	28	324			
65	2 1/2	78	152	271	234	399	185	145	4	18	477	18	75	44	455	Rp 2 1/2	32	436			
80	3	78	152	271	234	399	200	160	8	18	483	21	90	51	455	Rp 3	35	436			
100	4	100	210	361	316	537	220	180	8	18	608	18	110	61	607	Rp 4	45	596			

■ ANSI (Unit: inch)

							ANSI															
							FLANGED					SOCKET					THREADED					
mm	inch	d	D ₁	H	H ₁	H ₂	ANSI CLASS150					ASTM SCH40					ASTM SCH80					
							D	C	n	h	L	t	d ₁	d ₁ '	ℓ	d ₁	d ₁ '	ℓ	L	d ₂	ℓ	L
15	1/2	0.59	1.89	3.82	3.07	5.28	3.50	2.38	4	0.62	8.11	0.47	-	-	-	0.848	0.836	0.875	6.93	1/2 - 14 NPT	0.59	6.50
20	3/4	0.79	2.36	4.72	3.86	6.61	3.88	2.75	4	0.62	10.00	0.55	-	-	-	1.058	1.046	1.000	8.31	3/4 - 14 NPT	0.67	7.95
25	1	0.98	2.76	5.24	4.37	7.44	4.25	3.12	4	0.62	11.02	0.55	-	-	-	1.325	1.310	1.125	9.37	1 - 11 1/2 NPT	0.79	8.82
32	1 1/4	1.57	3.94	6.97	5.87	10.08	4.61	3.50	4	0.62	13.23	0.63	-	-	-	1.670	1.655	1.250	11.73	1 1/4 - 11 1/2 NPT	0.87	11.30
40	1 1/2	1.57	3.94	6.97	5.87	10.08	5.00	3.88	4	0.62	13.23	0.63	-	-	-	1.912	1.894	1.375	12.13	1 1/2 - 11 1/2 NPT	0.98	11.30
50	2	2.01	4.17	7.48	6.30	10.91	6.00	4.75	4	0.75	14.21	0.63	-	-	-	2.387	2.369	1.500	13.31	2 - 11 1/2 NPT	1.10	12.76
65	2 1/2	3.07	5.98	10.67	9.21	15.71	7.01	5.49	4	0.75	18.78	0.71	-	-	-	2.889	2.868	1.752	17.95	2 1/2 - 8 NPT	1.26	17.17
80	3	3.07	5.98	10.67	9.21	15.71	7.50	6.00	4	0.75	18.78	0.71	-	-	-	3.516	3.492	1.875	17.83	3 - 8 NPT	1.38	17.17
100	4	3.94	8.27	14.21	12.44	21.14	9.00	7.50	8	0.75	23.94	0.71	4.518	4.491	2.000	-	-	-	23.07	4 - 8 NPT	1.77	23.46

H₂: Space for screen removal.

Parts list

FLANGEDSOCKETTHREADED

PART NO./NAME	QTY	MATERIAL	PART NO./NAME	QTY	MATERIAL
1 BODY	1	U-PVC (Transparent)	6 RETAINING RING	1	U-PVC
2 SCREEN (1)	1	U-PVC	7 SPLIT RING	1	U-PVC
3 SCREEN SUPPORT	1	U-PVC	8 O-RING (A)	2	EPDM, FKM, etc.
4 END CONNECTOR	2	U-PVC	9 O-RING (B)	1	
5 UNION NUT	3	U-PVC	10 STOP RING (2)	2	PVDF

(1) 40 mesh: standard 30/20/60 mesh: custom-build *60 mesh: U-PVC (20 mesh) + PVDC (60 mesh)

(2) Used for Flanged type.

Cv value for each opening degree

FULL-OPEN Cv VALUE

mm	15	20	25	32	40	50	65	80	100
inch	1/2	3/4	1	1 1/4	1 1/2	2	2 1/2	3	4
FULL-OPEN Cv VALUE	5.2	7.5	14	26	34	50	93	110	165

Pipe bolt dimensions (Reference: recommended data)

SEDIMENT STRAINER (TYPE Y)

UNIT: mm

SIZE	15	20	25	32	40	50	65	80	100
SCREW SIZE	M12	M12	M12	M16	M16	M16	M16	M16	M16
NO.OF FLANGE HOLES	4	4	4	4	4	4	4	8	8
FLANGE THICKNESS	14	15	15	16	16	20	22	22	22
SEDIMENT STRAINER (TYPE Y)	55	60	65	65	65	70	75	75	75

The above values indicate the bolt dimensions when an AV TS flange and AV packing are used.

The numbers in a circle indicate the number of bolts required to connect one side of flange. When there is no indication, refer to the number of flange holes.

Product weight

SEDIMENT STRAINER (TYPE Y)

UNIT : kg

mm	inch	FLANGED	SOCKET	THREADED
15	1/2	0.6	0.3	0.3
20	3/4	0.8	0.5	0.5
25	1	1.2	0.7	0.8
32	1 1/4	2.5	2.0	2.0
40	1 1/2	2.2	1.5	1.6
50	2	2.8	1.8	1.9
65	2 1/2	6.3	5.4	5.3
80	3	6.5	5.4	6.0
100	4	20.5	18.0	19.5

Product model code list

ACTUATION	TYPE	SCREEN TYPE	BODY MATERIAL	SEAL MATERIAL	CONNECTION	STANDARD	SIZE
V	YS	*	U	*	*	*	***
V MANUAL VALVE	YS SEDIMENT STRAINER (TYPE Y)	2U 20 MESH 3U 30 MESH 4U 40 MESH 6U 60 MESH	U U-PVC	E EPDM V FKM	S SOCKET N THREADED F FLANGED	J JIS 1 JIS 10K 5 JIS 5K D DIN A ANSI	015 15mm 5 100 100mm

Note: 40 mesh: standard 30/20/60 mesh: custom-build *60 mesh: U-PVC (20 mesh) + PVDC (60 mesh)

Installation, Operation and Maintenance Manual

"For details of Installation, Operation and Maintenance, please contact our nearest distribution agent or sales office.